


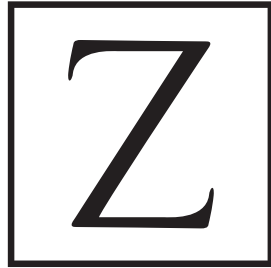
ZLINE



CRYSTAL BAY
SHOWER SYSTEMS

Installation Guide
and Users Manual

 **WARNING:** This product can expose you to chemicals including nickel, which is known to the State of California to cause cancer. For more information, go to www.P65Warnings.ca.gov.



ZLINE

Sourced with materials from across the world, ZLINE's shower systems are easy to operate, reduce water waste, and complement bathroom décor. This exclusive collection blends modern technology with traditional appeal — offering a wide array of finishes.

ZLINE showers offer an aerated water flow for resource conservation, helping both the environment and your wallet. The housing material composition consists largely of brass, which is extremely durable and leak proof. Each shower system produced is examined thoroughly by hand to ensure quality and consistency.

TABLE OF CONTENTS

● SAFETY INSTRUCTIONS	1
Prior to Installation	
Safety Tips	
Care and Maintenance	
● 2 POINT SHOWER SYSTEM (CBY-SHS-T2)	2
Parts	
Dimensions	
Tools	
Assembly	
● 3 POINT SHOWER SYSTEM (CBY-SHS-T3)	21
Parts	
Dimensions	
Tools	
Assembly	
● TROUBLESHOOTING	48

SAFETY INSTRUCTIONS

Prior to Installation

- Make sure that the cold and hot water lines are turned off.
- Wrap all threaded connections with Teflon tape. Always wrap in a clockwise direction.
- Cover your drain to avoid losing parts.
- Do not disassemble the main system body, as it has been installed and commissioned correctly and precisely before delivery to the factory.
- To keep the system from jamming, flush the water pipe before installation.

Operating conditions: Working pressure at 0.05-1.0 MPa (including cold and hot water pressure) with applicable water temperature: 39.2°F - 194°F.

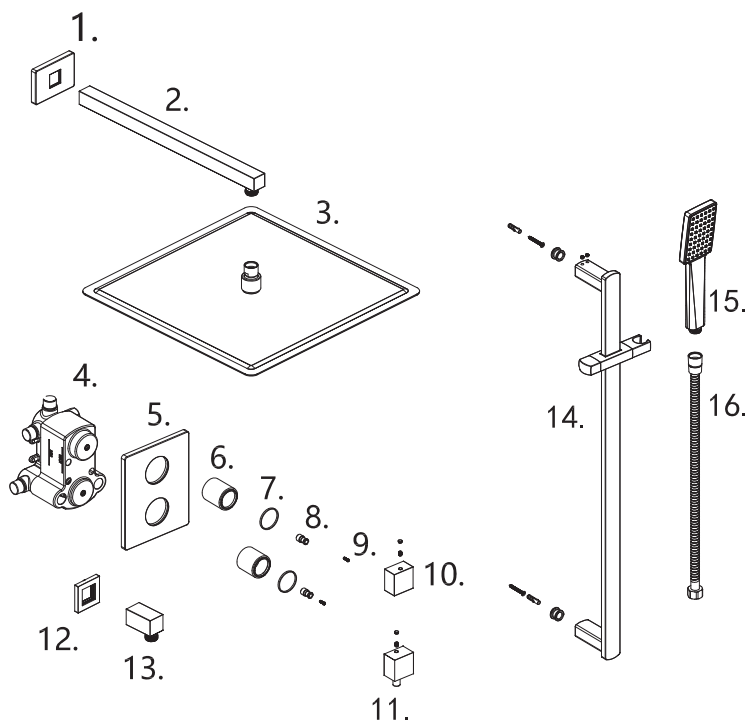
Care and Maintenance

To keep the product clean and shining, follow the steps below:

1. Rinse clean with water and dry with a soft cloth.
2. Do not clean with soaps, acid, polish, abrasives, or harsh cleaners.
3. Do not use cloth with a coarse surface.
4. Unscrew the aerator and clean when necessary.

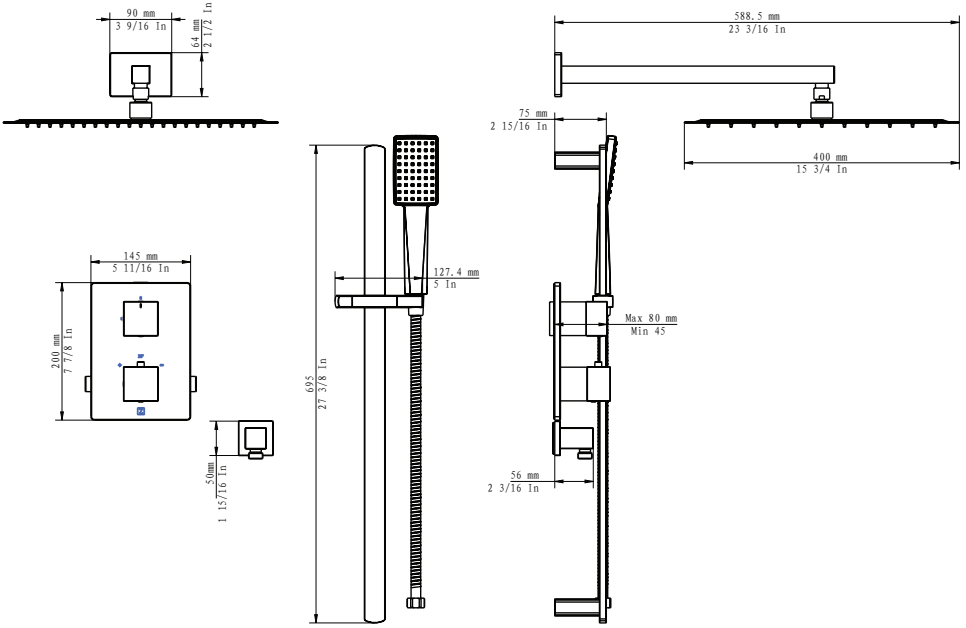
- If soldering the water connections when installing the system, remove the O-rings, cartridges, and washers before applying any heat.
- Protect your eyes when cutting or soldering.
- Do not over tighten screws/nuts. Finger tighten, then use a wrench/screwdriver to tighten the fixing screw/nut until snug.

2 POINT SHOWER SYSTEM (CBY-SHS-T2)



- | | |
|---------------------|-------------------|
| 1. Flange cover | 10. Handle |
| 2. Shower arm | 11. Handle |
| 3. Top spray shower | 12. Flange cover |
| 4. Wall valve body | 13. Angle valve |
| 5. Faceplate | 14. Shower rail |
| 6. Sleeve | 15. Shower handle |
| 7. Washer | 16. Hose |
| 8. Tooth | |
| 9. Screw | |

2 POINT SHOWER SYSTEM (CBY-SHS-T2)

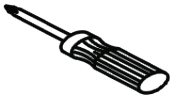


2 POINT SHOWER SYSTEM (CBY-SHS-T2)

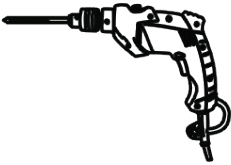
Tools:



Wrench



Screwdriver



Drill

Time required:



+/- 120 minutes

Legend:



Hot Water



Cold Water



Torch

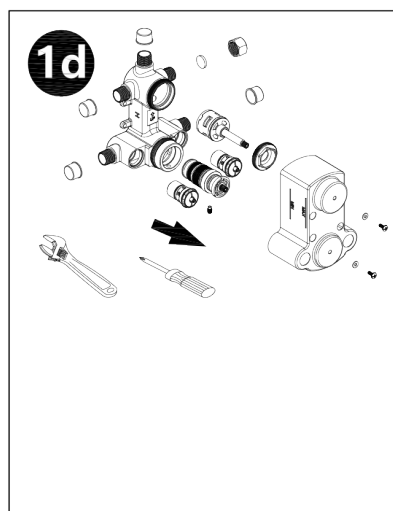
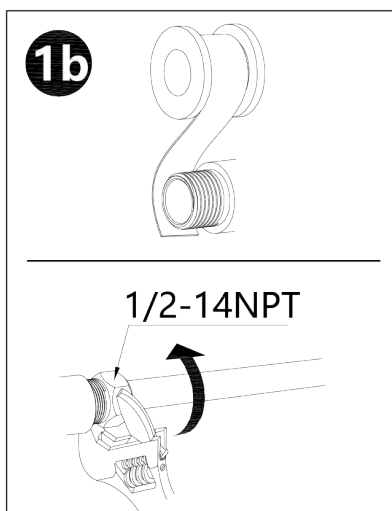
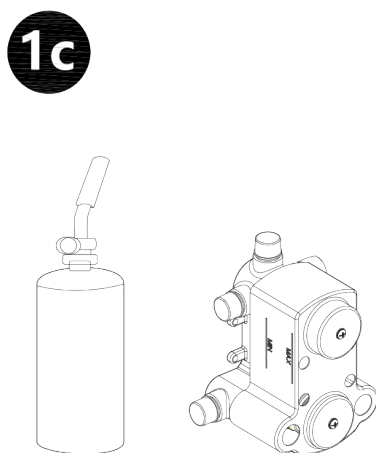
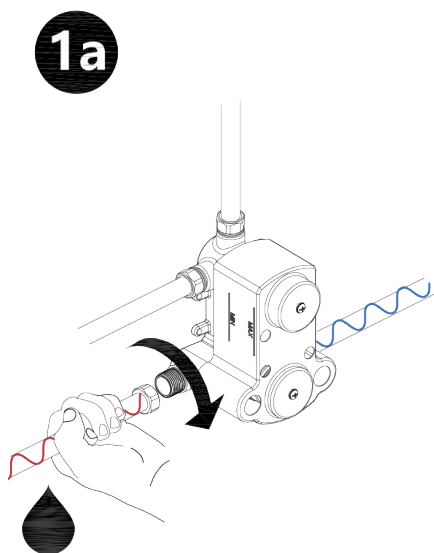


Warning



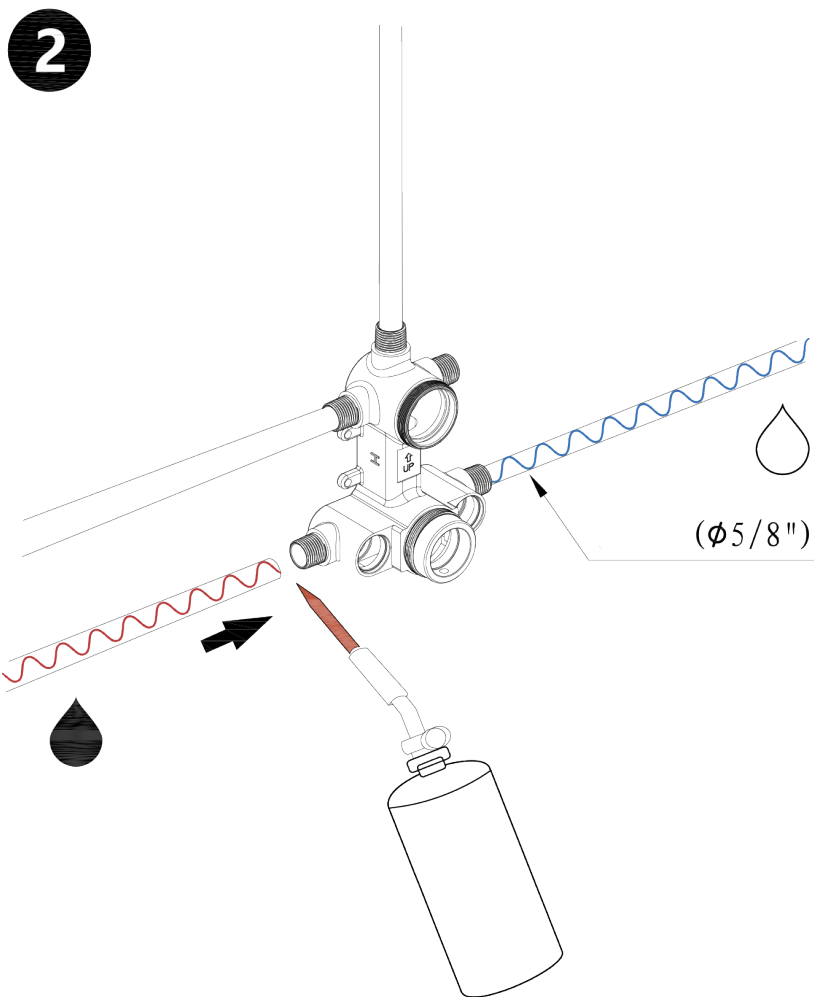
Plumber's Tape

2 POINT SHOWER SYSTEM (CBY-SHS-T2)



Slide the sleeves onto the pipes and then insert pipes into the wall valve. Tighten the ring around the pipes with the wrench.

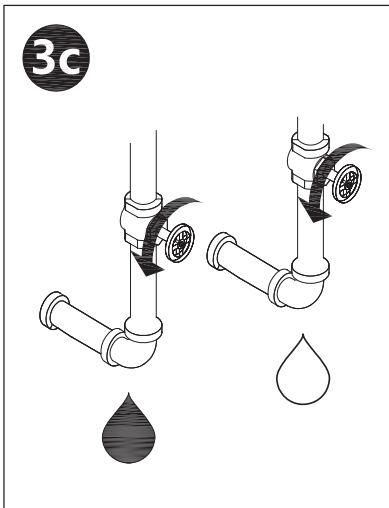
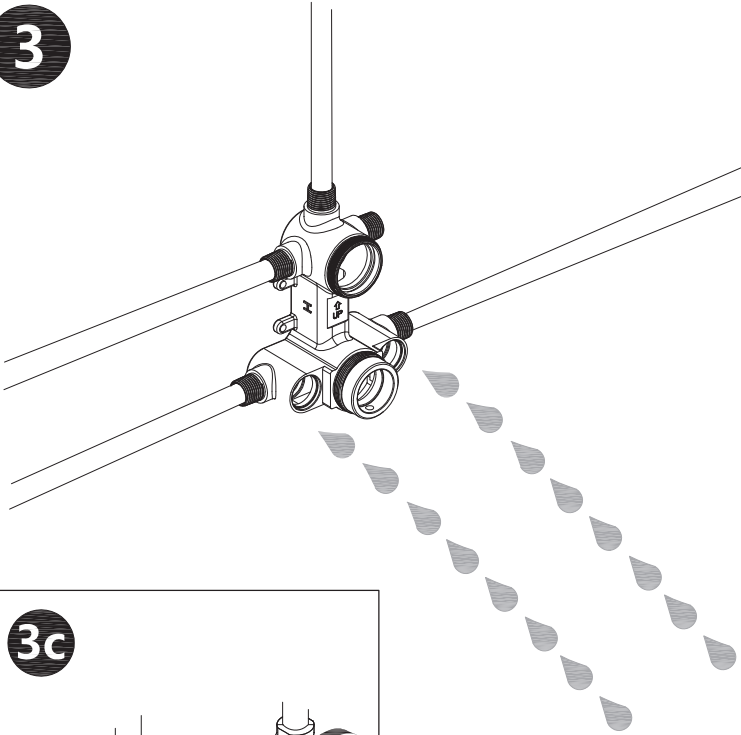
2 POINT SHOWER SYSTEM (CBY-SHS-T2)



Weld the copper together or use plumber's tape to prevent leaks.

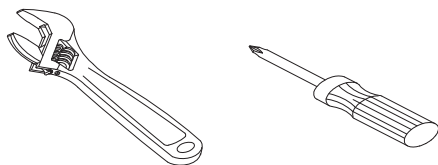
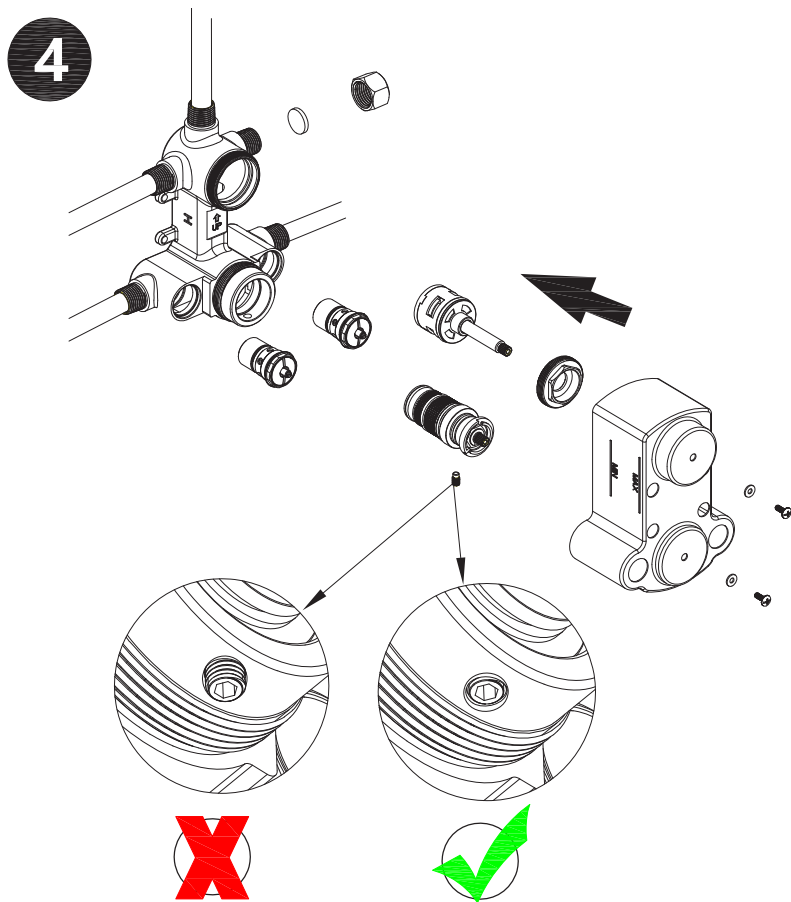
2 POINT SHOWER SYSTEM (CBY-SHS-T2)

3



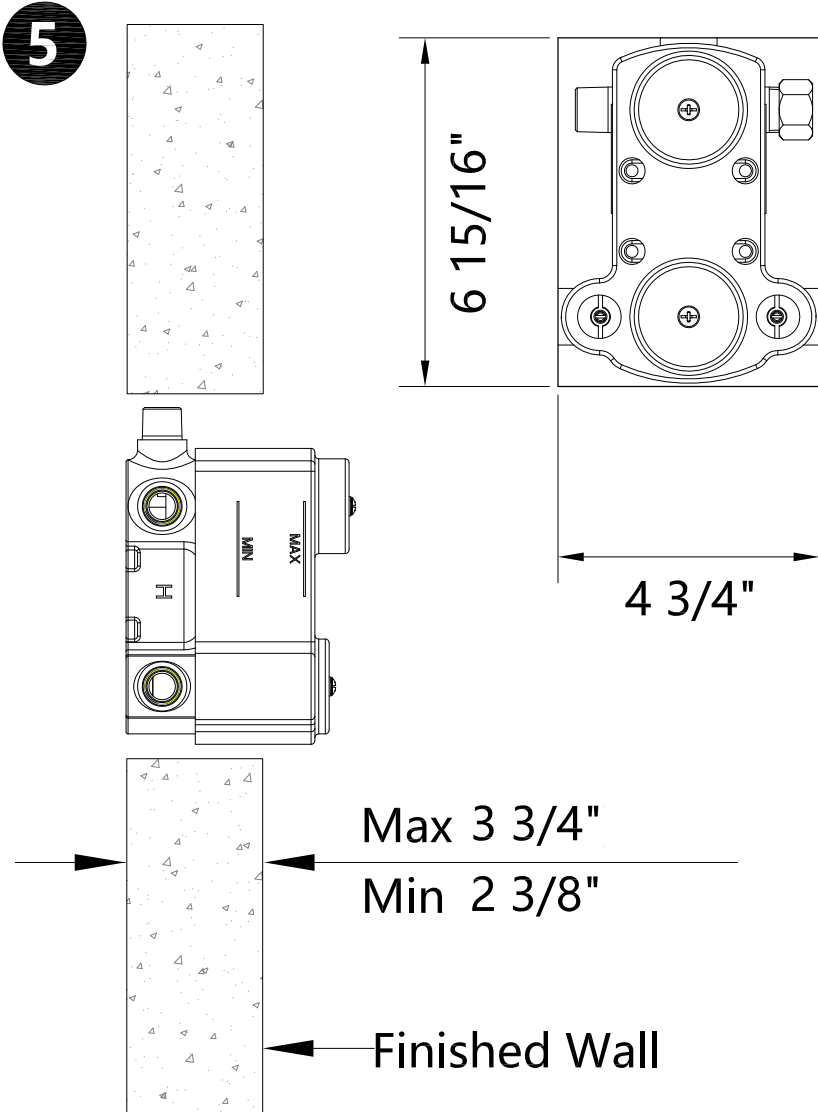
After welding, purge the water supply system for 30 seconds.

2 POINT SHOWER SYSTEM (CBY-SHS-T2)



Reinstall the valve components into their original positions.

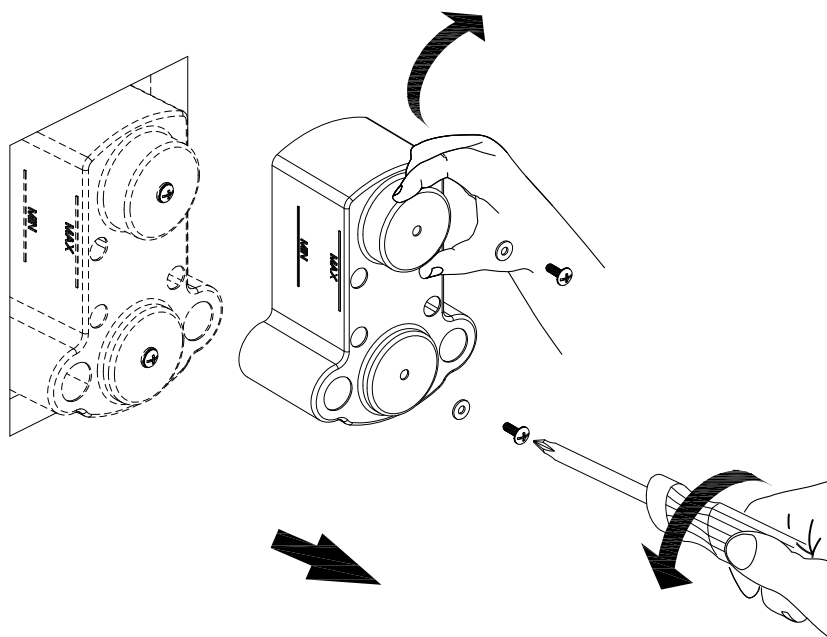
2 POINT SHOWER SYSTEM (CBY-SHS-T2)



Use this diagram to understand the placement of the wall valve.

2 POINT SHOWER SYSTEM (CBY-SHS-T2)

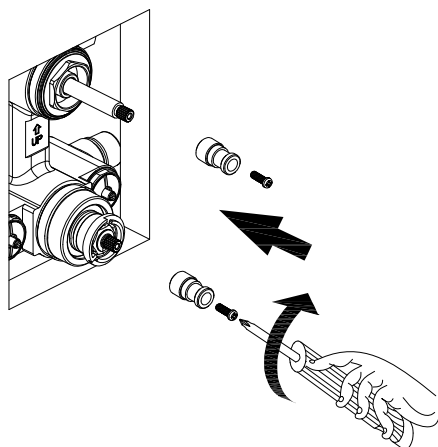
6



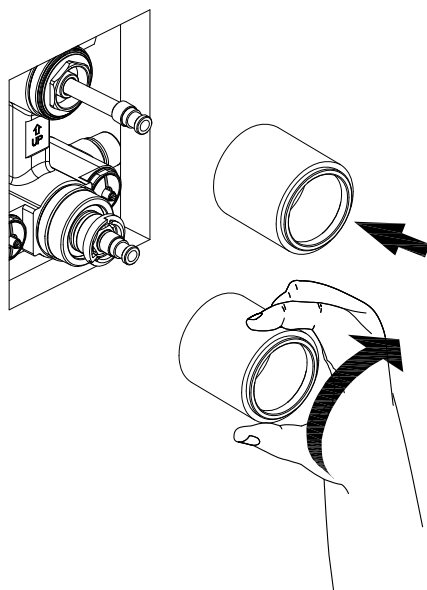
Screw the wall valve body into the system with a screwdriver. Do not overtighten.

2 POINT SHOWER SYSTEM (CBY-SHS-T2)

7a



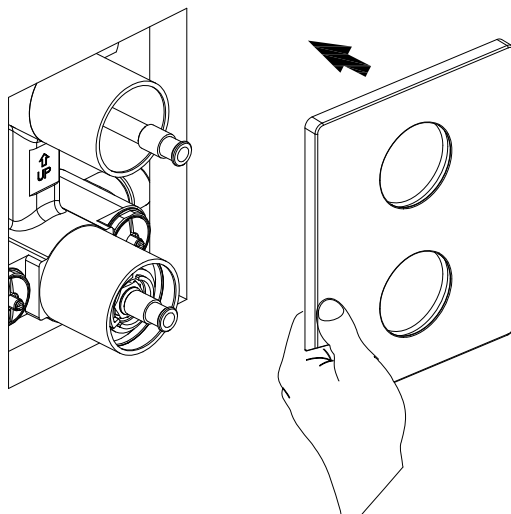
7b



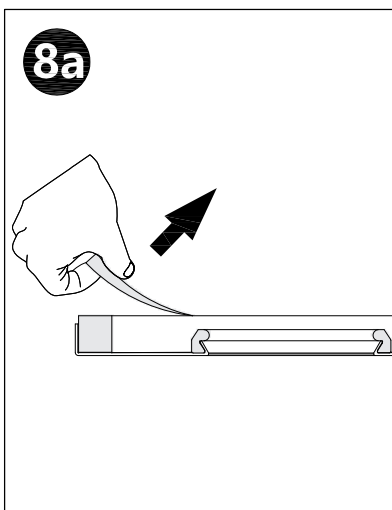
Screw the sleeve and washer into the wall valve body.

2 POINT SHOWER SYSTEM (CBY-SHS-T2)

8

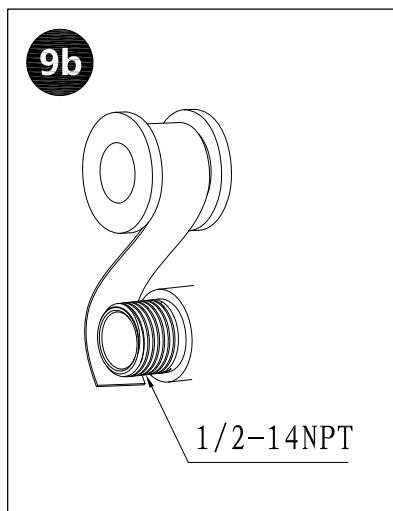
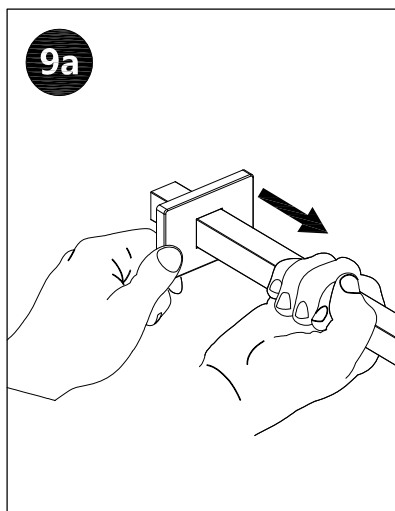
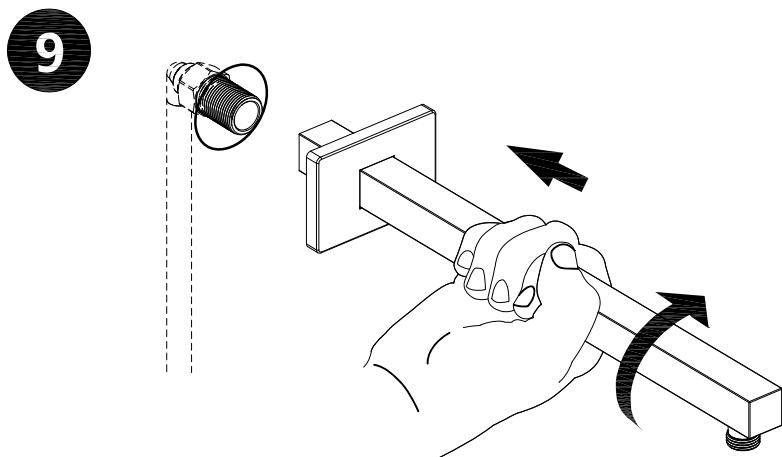


8a



Attach the faceplate and remove the plastic.

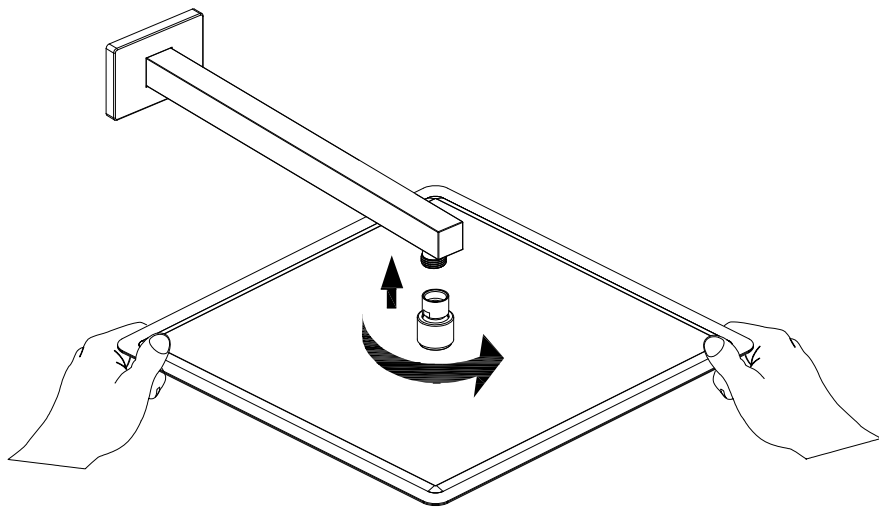
2 POINT SHOWER SYSTEM (CBY-SHS-T2)



Connect the flange cover to the spout in the wall. Secure with plumber's tape to prevent leaks.

2 POINT SHOWER SYSTEM (CBY-SHS-T2)

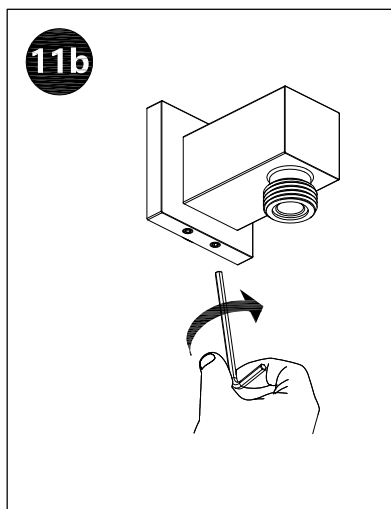
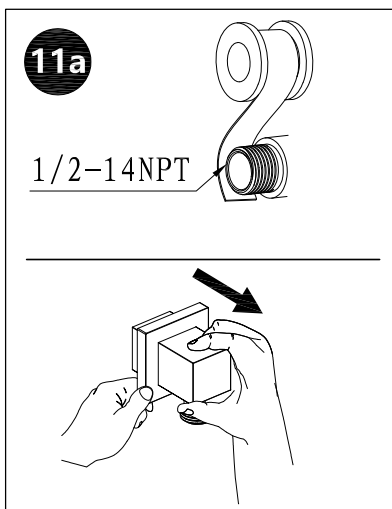
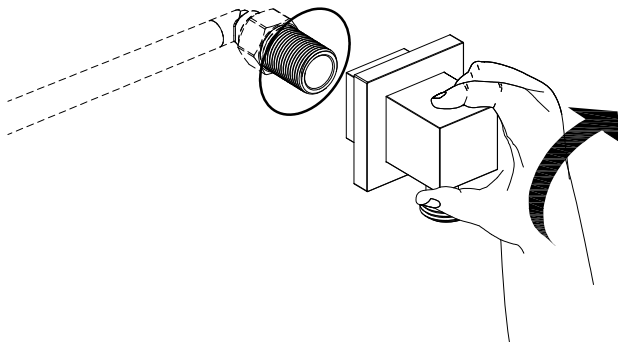
10



Twist the top spray shower into the shower arm.

2 POINT SHOWER SYSTEM (CBY-SHS-T2)

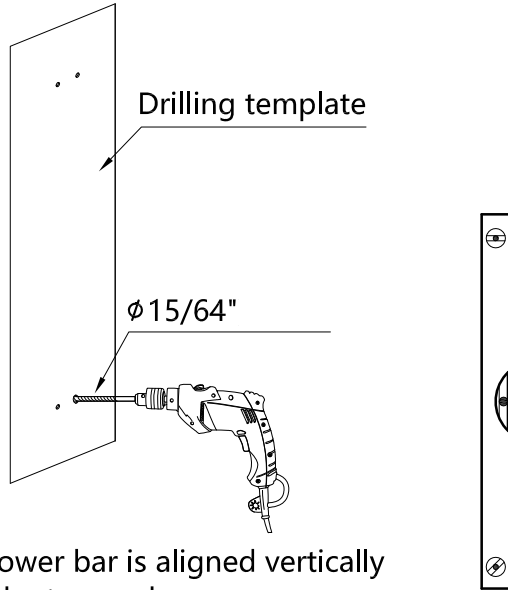
11



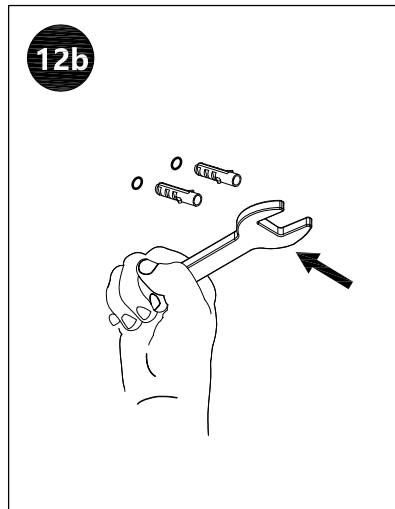
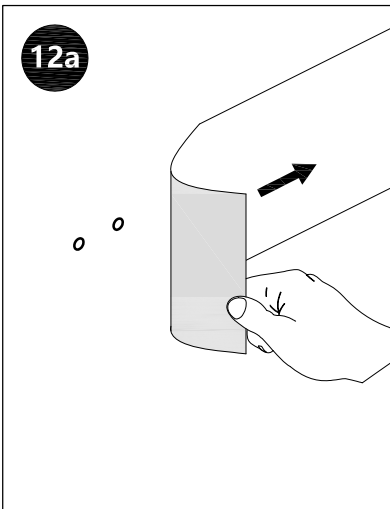
Connect the angle valve to the flange cover and screw together. Secure with plumber's tape to prevent leaks.

2 POINT SHOWER SYSTEM (CBY-SHS-T2)

12

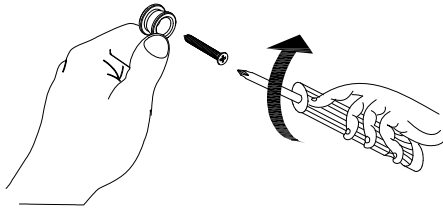


Make sure the shower bar is aligned vertically before installing the top anchor.



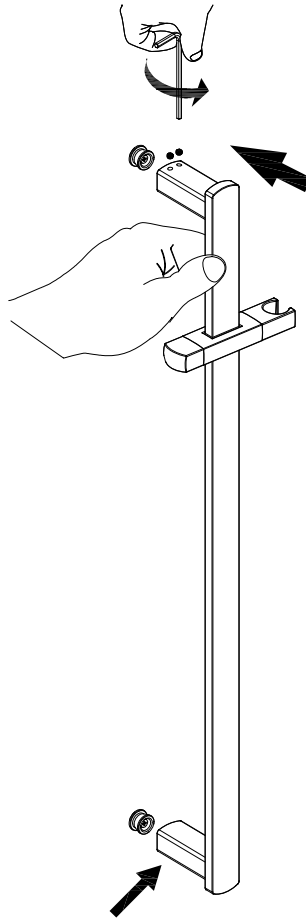
Make sure the shower bar is aligned vertically before installing the top anchor.

13



Secure the mounting brackets into place.

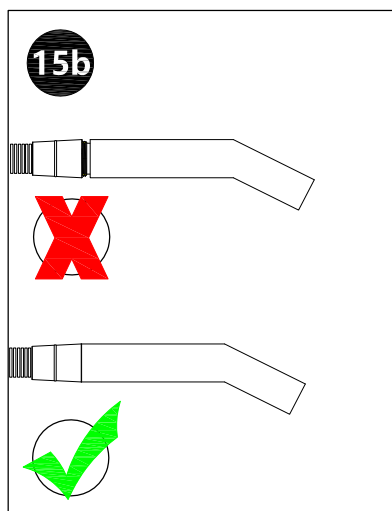
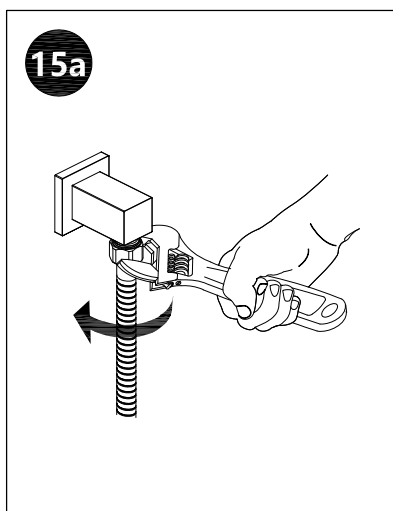
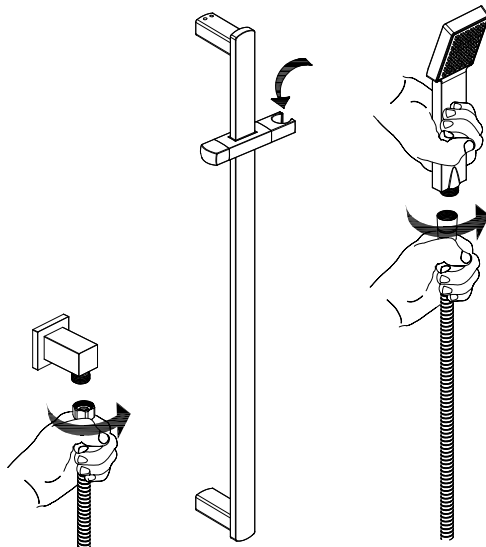
14



Connect the components of the shower rail.

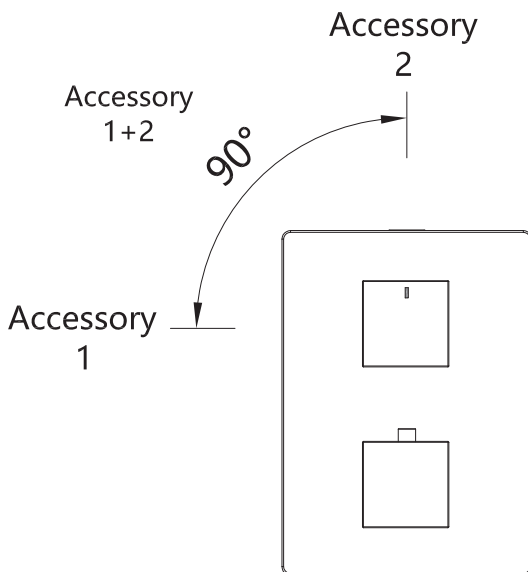
2 POINT SHOWER SYSTEM (CBY-SHS-T2)

15



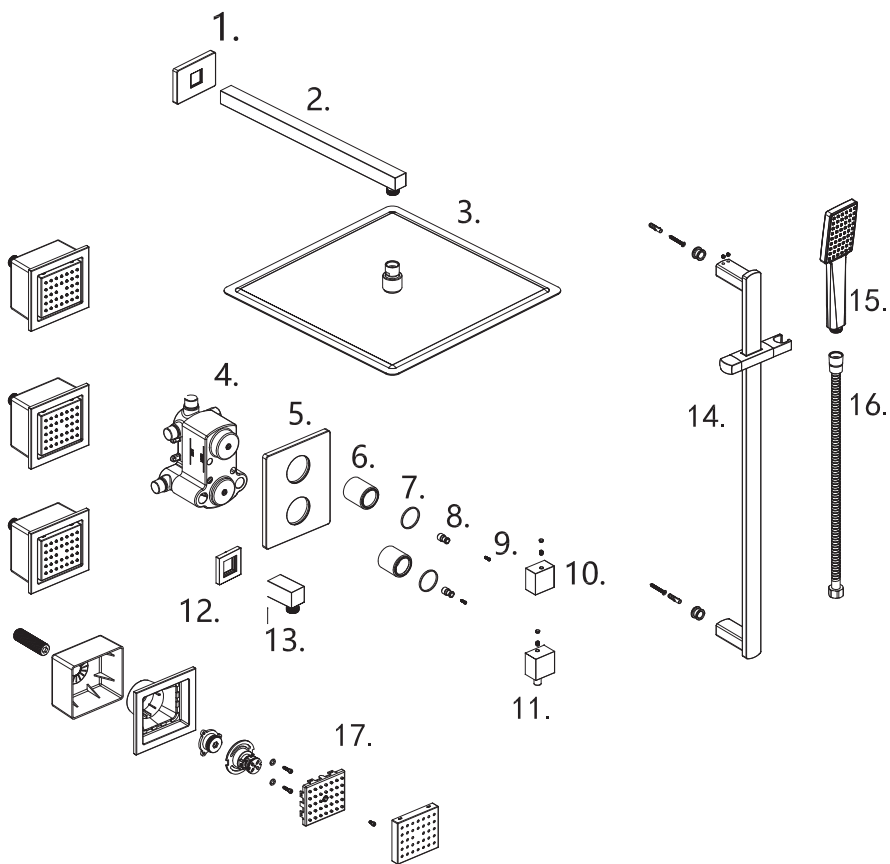
Connect the shower handle to the shower rail. Tighten with a wrench.

16



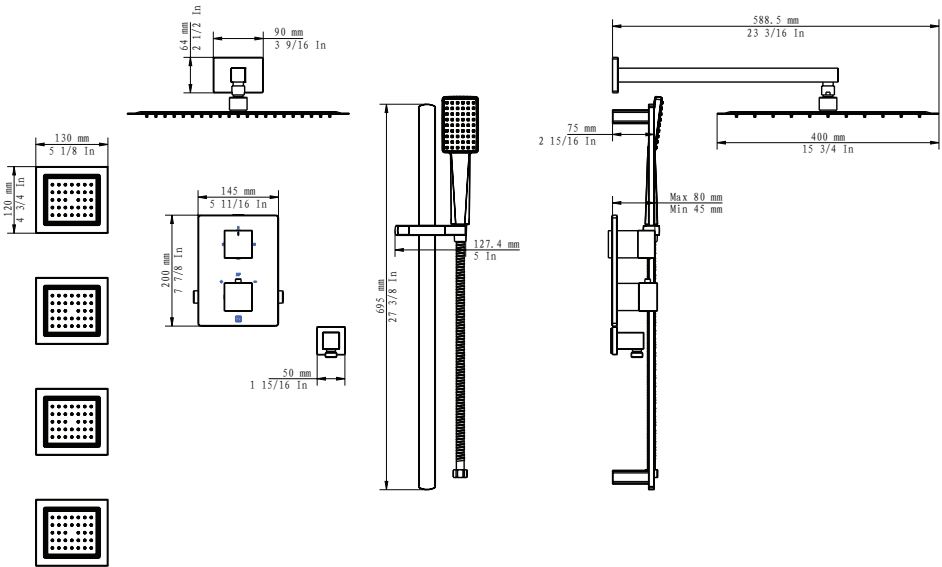
Review the diagram to understand the hot, cold, and open settings.

3 POINT SHOWER SYSTEM (CBY-SHS-T3)



- | | |
|---------------------|-----------------------|
| 1. Flange cover | 10. Handle |
| 2. Shower arm | 11. Handle |
| 3. Top spray shower | 12. Flange cover |
| 4. Wall valve body | 13. Angle valve |
| 5. Faceplate | 14. Shower rail |
| 6. Sleeve | 15. Shower handle |
| 7. Washer | 16. Hose |
| 8. Tooth | 17. Built-in body jet |
| 9. Screw | |

3 POINT SHOWER SYSTEM (CBY-SHS-T3)

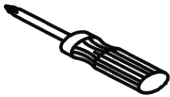


3 POINT SHOWER SYSTEM (CBY-SHS-T3)

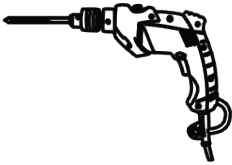
Tools:



Wrench



Screwdriver



Drill

Time required:



+/- 120 minutes

Legend:



Hot Water



Cold Water



Torch

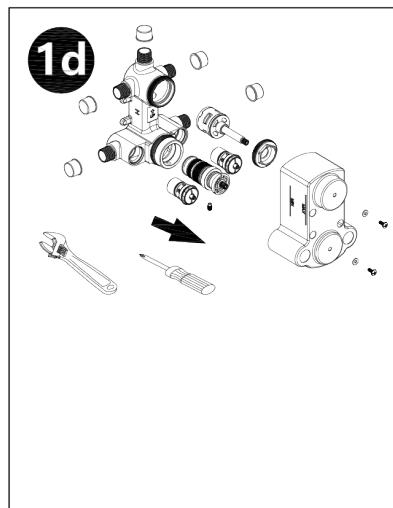
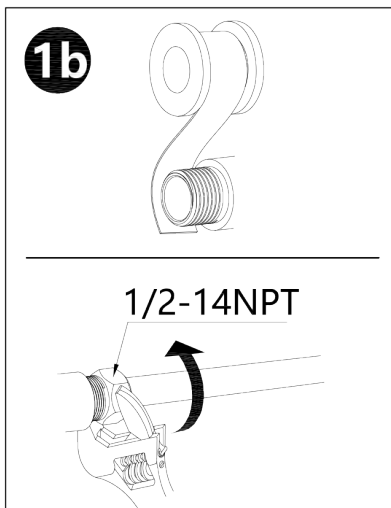
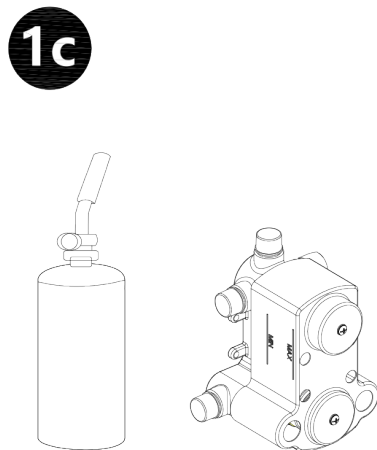
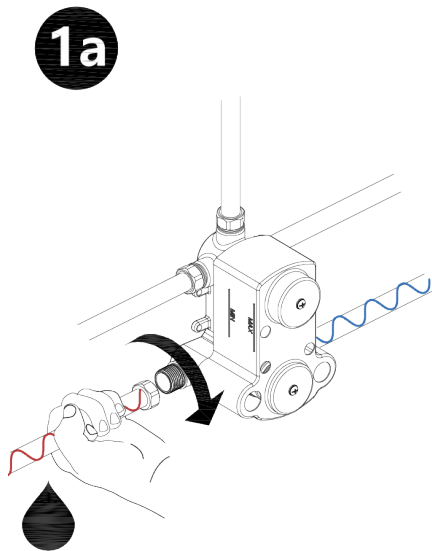


Warning



Plumber's Tape

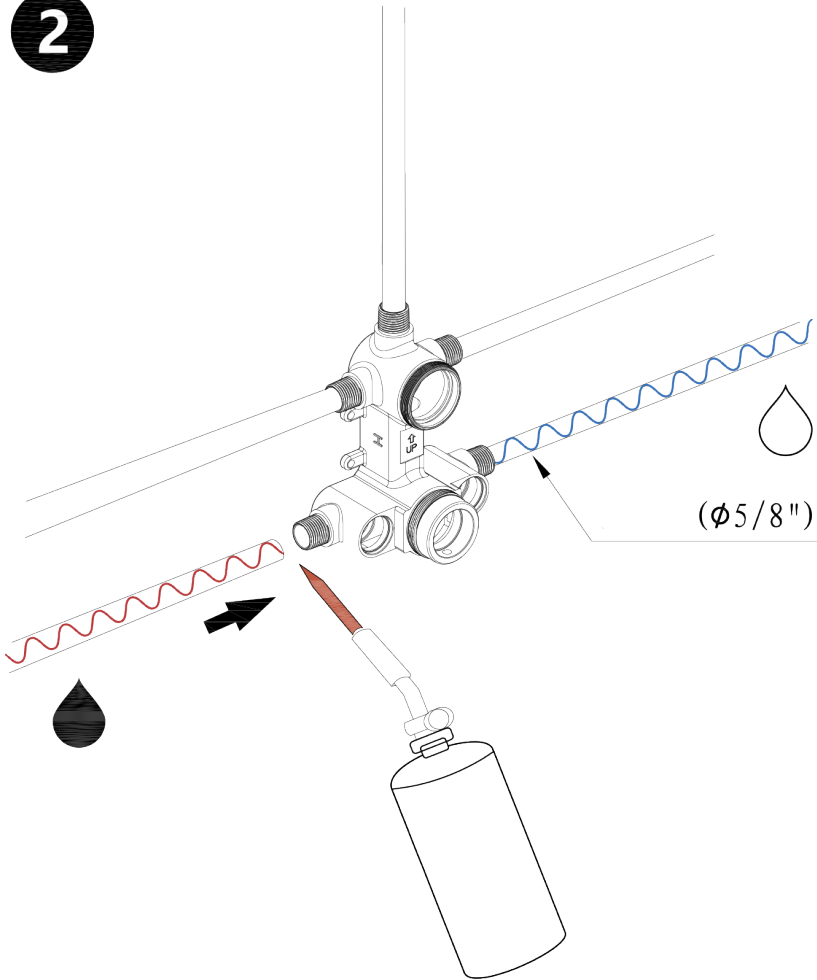
3 POINT SHOWER SYSTEM (CBY-SHS-T3)



Slide the sleeves onto the pipes and then insert pipes into the wall valve. Tighten the ring around the pipes with the wrench.

3 POINT SHOWER SYSTEM (CBY-SHS-T3)

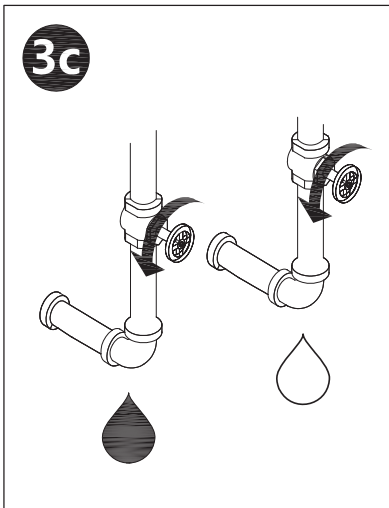
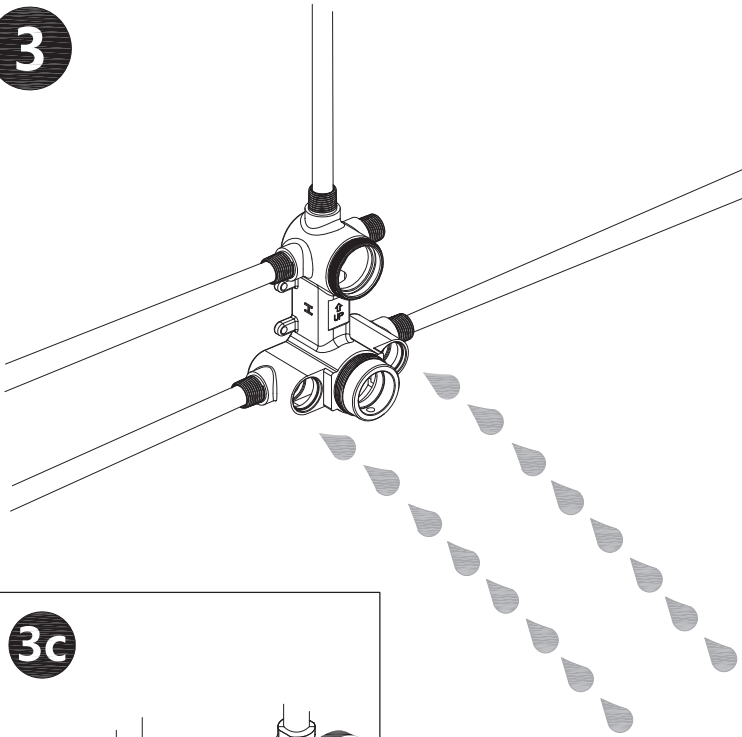
2



Weld the copper together or use plumber's tape to prevent leaks.

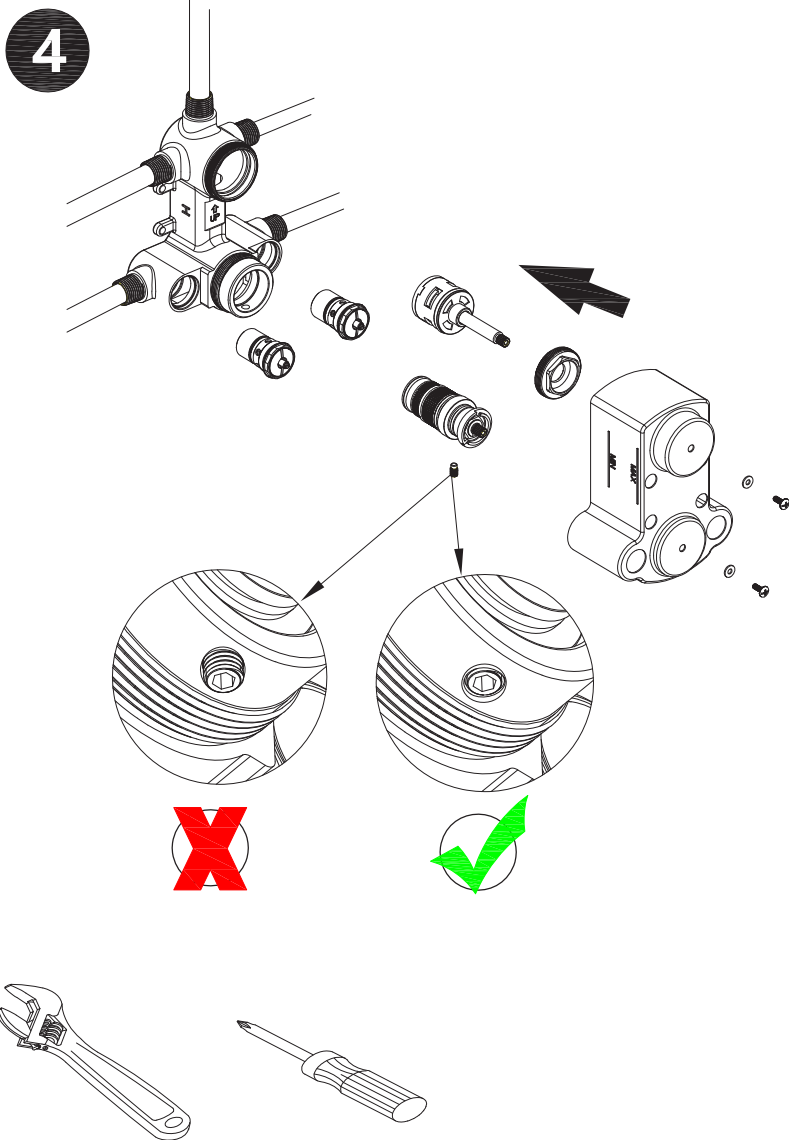
3 POINT SHOWER SYSTEM (CBY-SHS-T3)

3



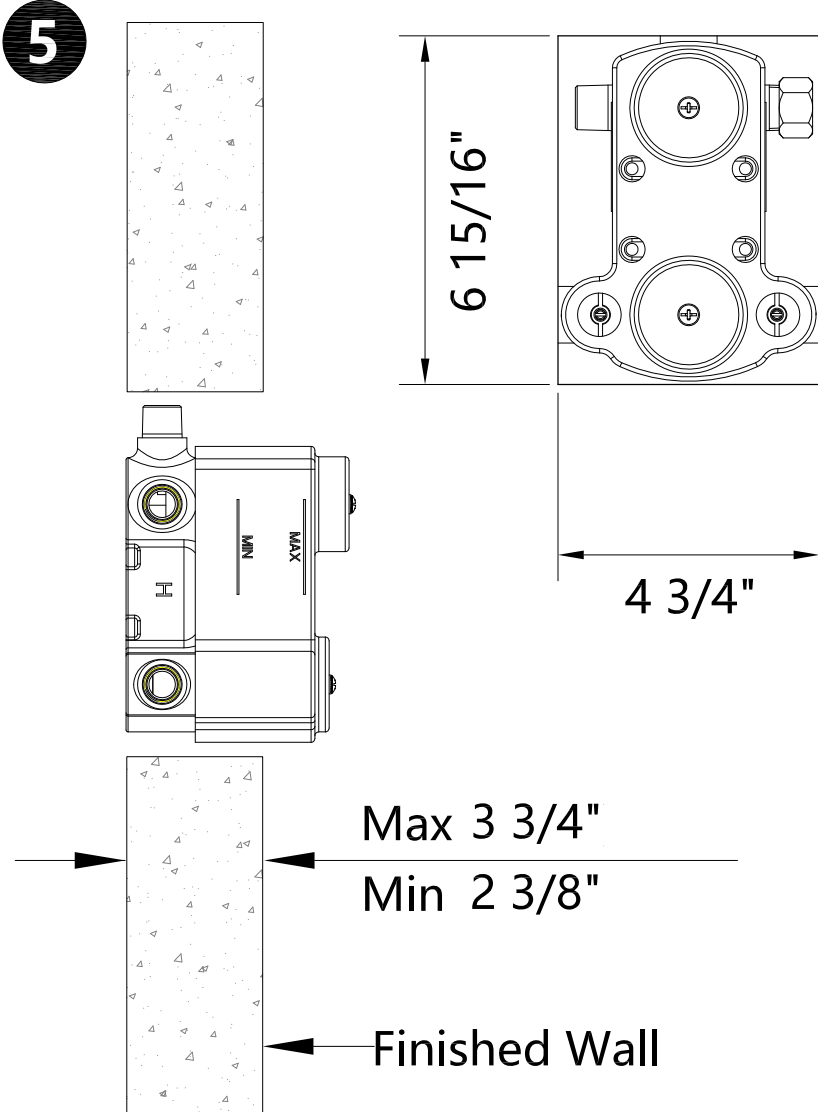
After welding, purge the water supply system for 30 seconds.

3 POINT SHOWER SYSTEM (CBY-SHS-T3)



Reinstall the valve components into their original positions.

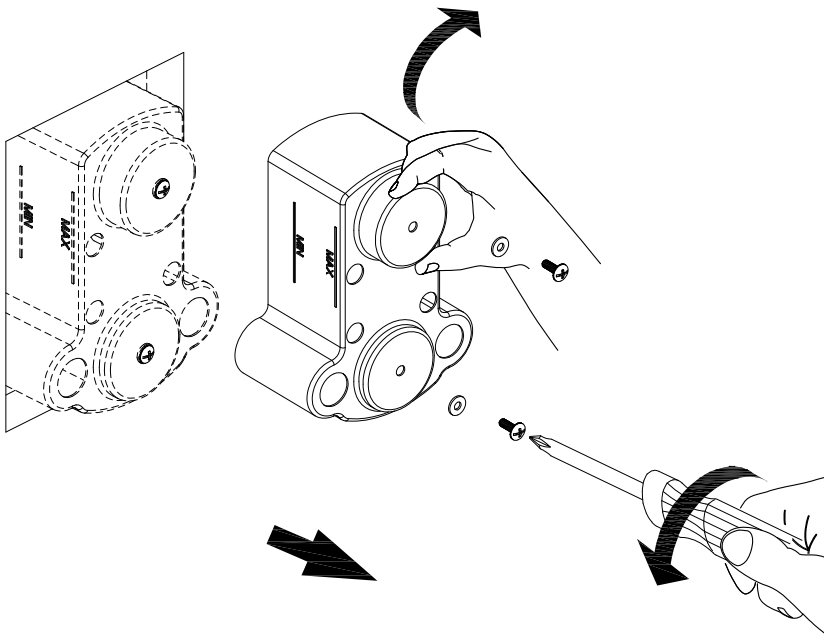
3 POINT SHOWER SYSTEM (CBY-SHS-T3)



Use this diagram to understand the placement of the wall valve.

3 POINT SHOWER SYSTEM (CBY-SHS-T3)

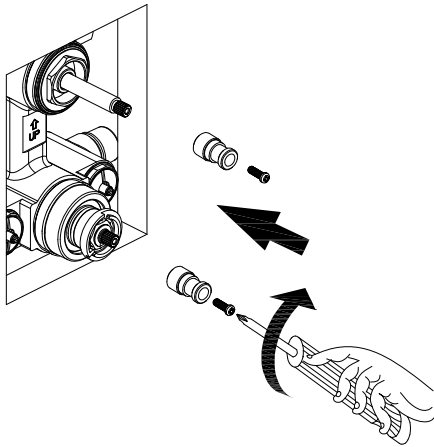
6



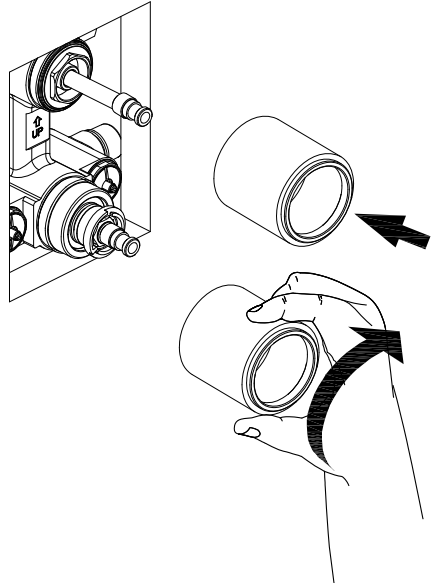
Screw the wall valve body into the system with a screwdriver. Do not overtighten.

3 POINT SHOWER SYSTEM (CBY-SHS-T3)

7a



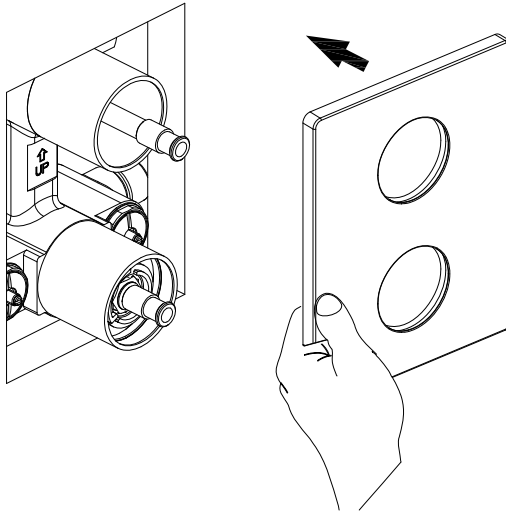
7b



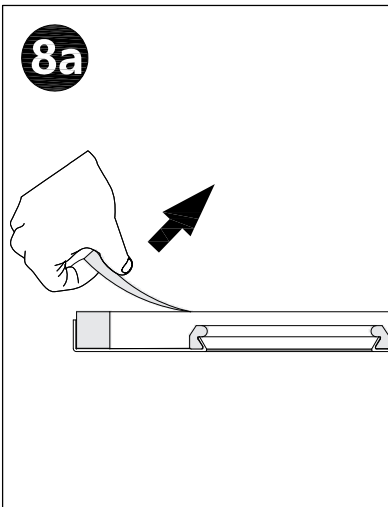
Screw the sleeve and washer into the wall valve body.

3 POINT SHOWER SYSTEM (CBY-SHS-T3)

8

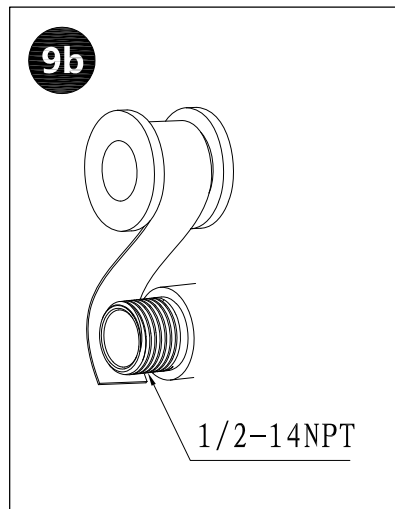
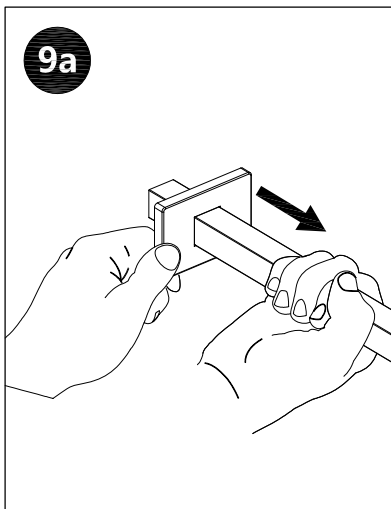
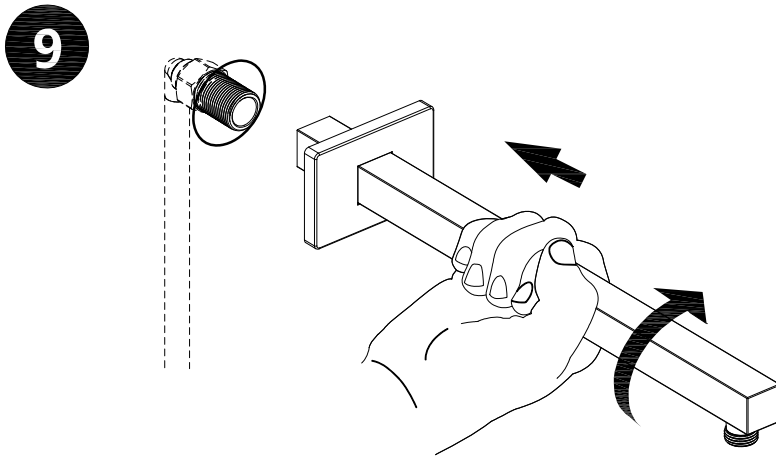


8a



Attach the faceplate and remove the plastic.

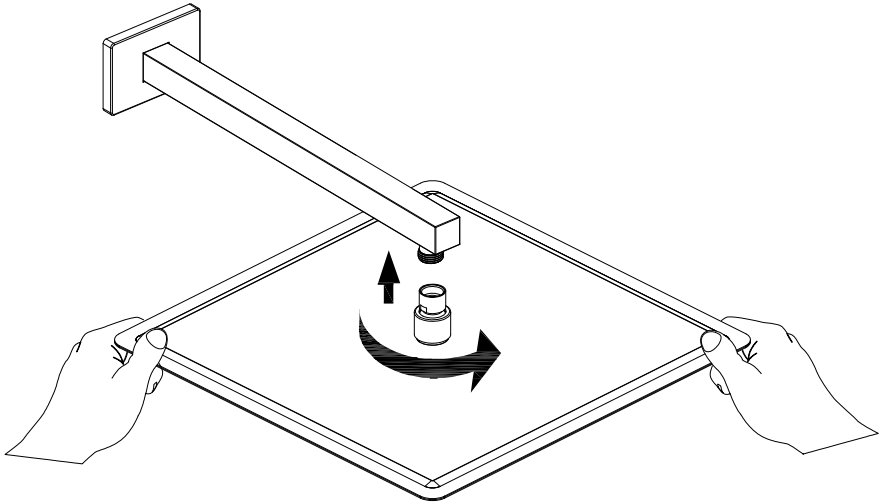
3 POINT SHOWER SYSTEM (CBY-SHS-T3)



Connect the flange cover to the spout in the wall. Secure with plumber's tape to prevent leaks.

3 POINT SHOWER SYSTEM (CBY-SHS-T3)

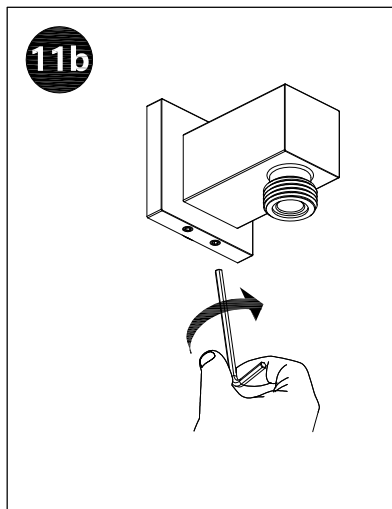
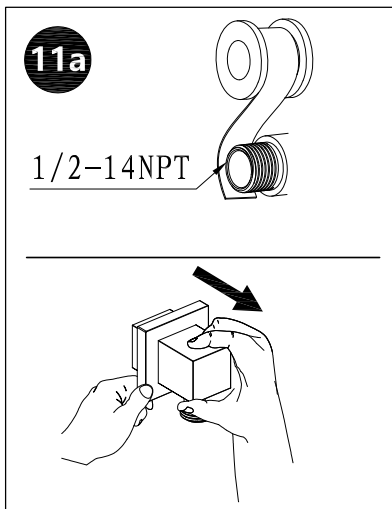
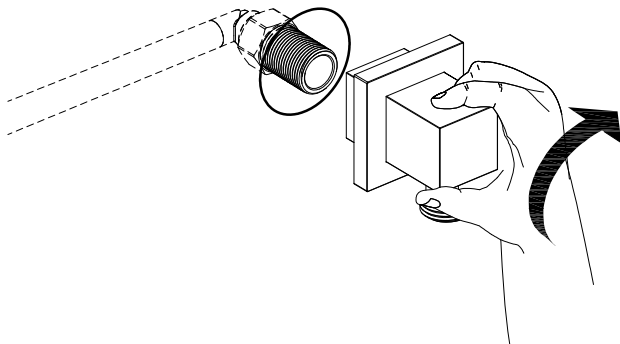
10



Twist the top spray shower into the shower arm.

3 POINT SHOWER SYSTEM (CBY-SHS-T3)

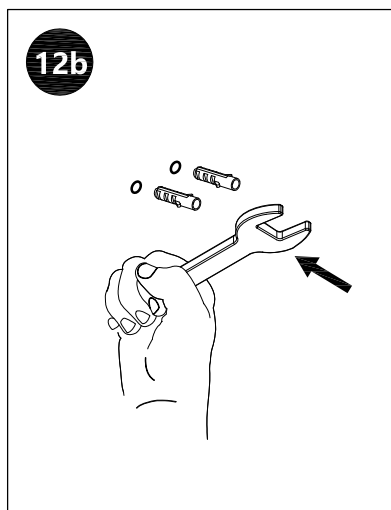
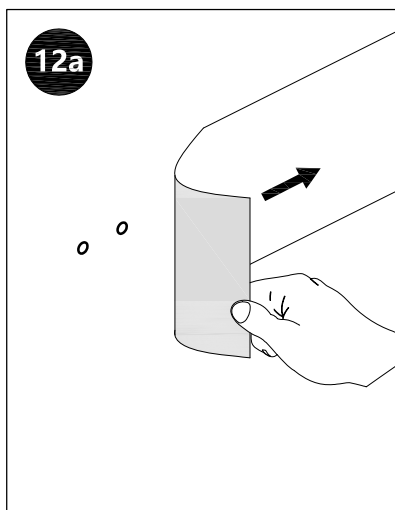
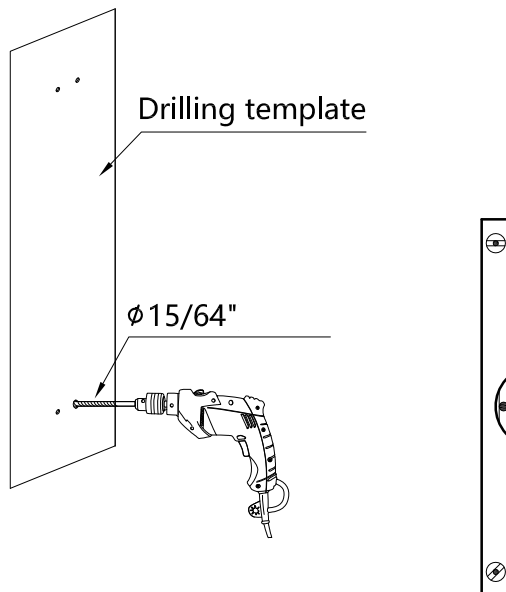
11



Connect the angle valve to the flange cover and screw together. Secure with plumber's tape to prevent leaks.

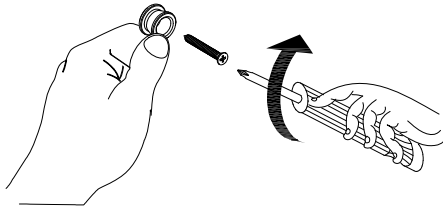
3 POINT SHOWER SYSTEM (CBY-SHS-T3)

12



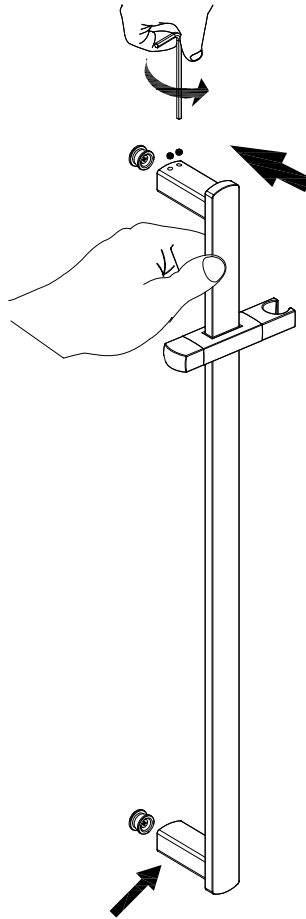
Make sure the shower bar is aligned vertically before installing the top anchor.

13



Secure the mounting brackets into place.

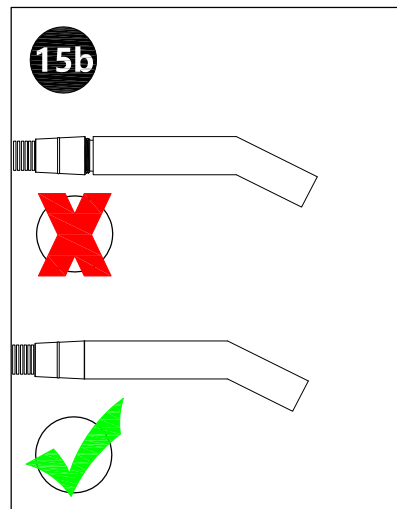
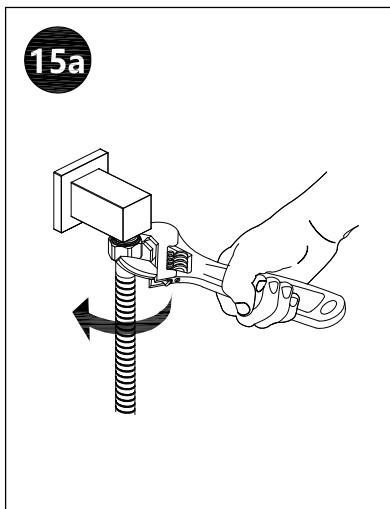
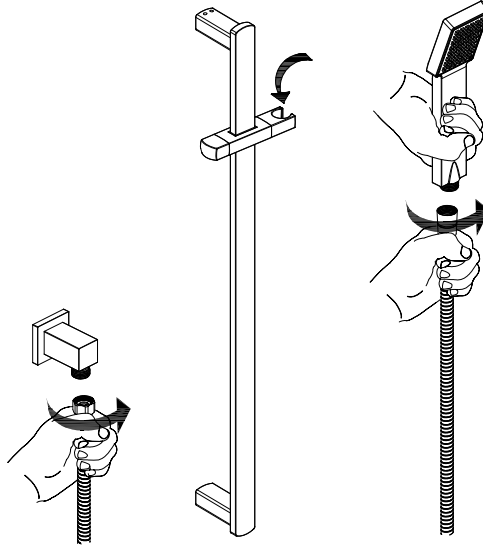
14



Connect the components of the shower rail.

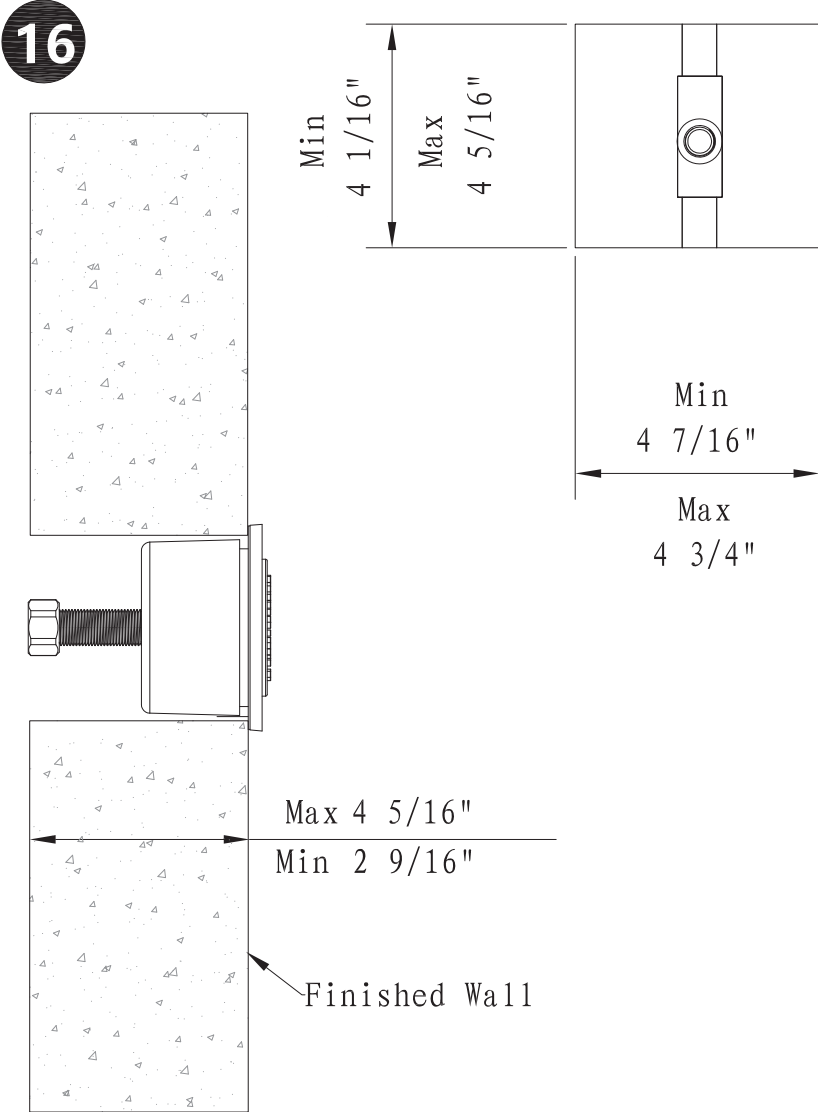
3 POINT SHOWER SYSTEM (CBY-SHS-T3)

15



Connect the shower handle to the shower rail. Tighten with a wrench.

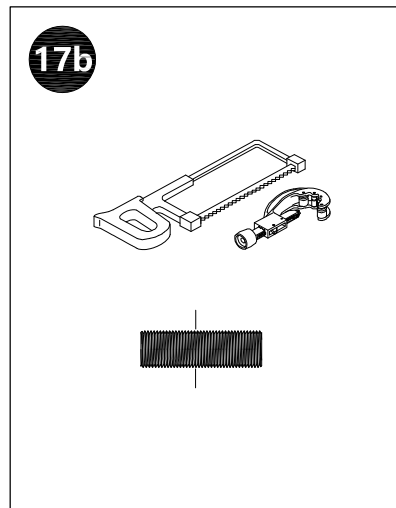
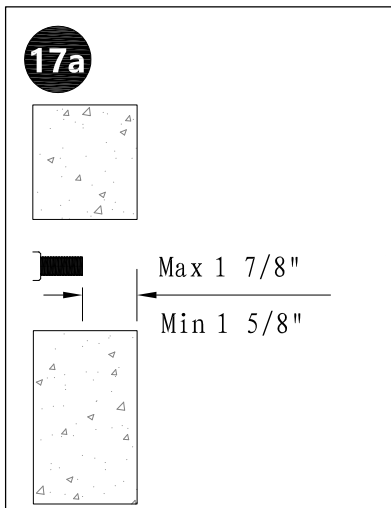
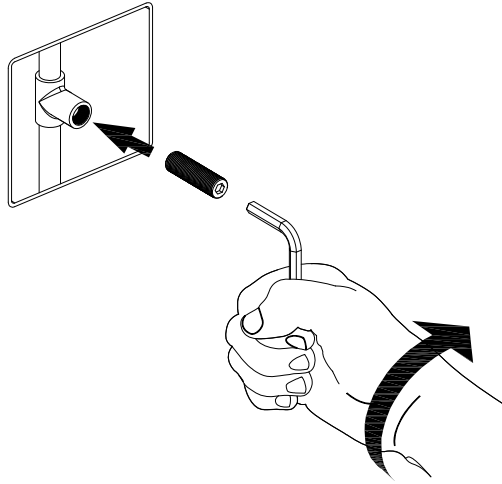
3 POINT SHOWER SYSTEM (CBY-SHS-T3)



Use this diagram to understand the placement of the body jet.

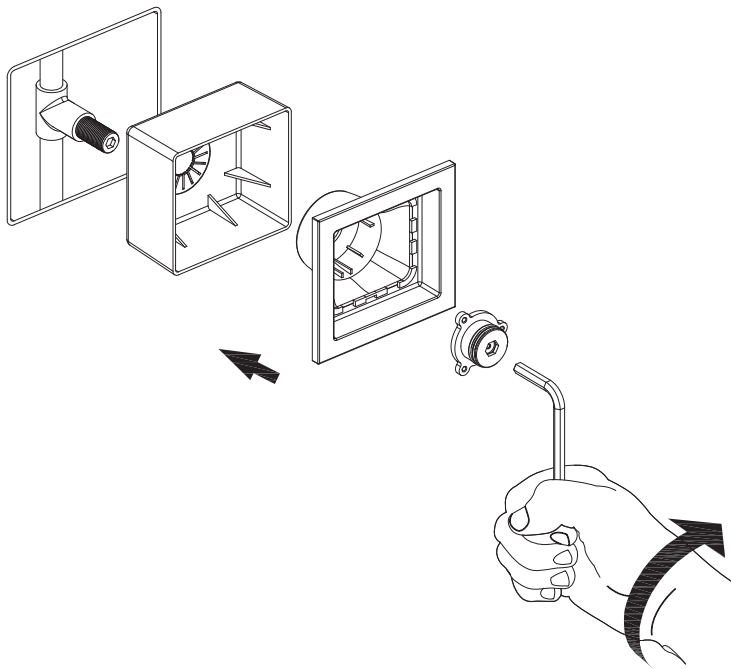
3 POINT SHOWER SYSTEM (CBY-SHS-T3)

17



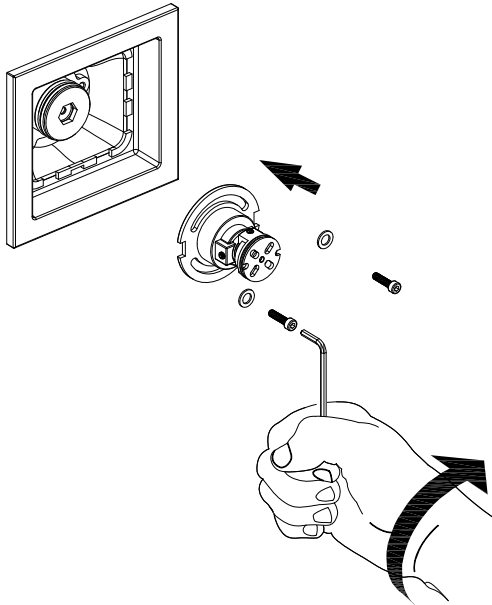
Secure the body jet base with the hex key.

18



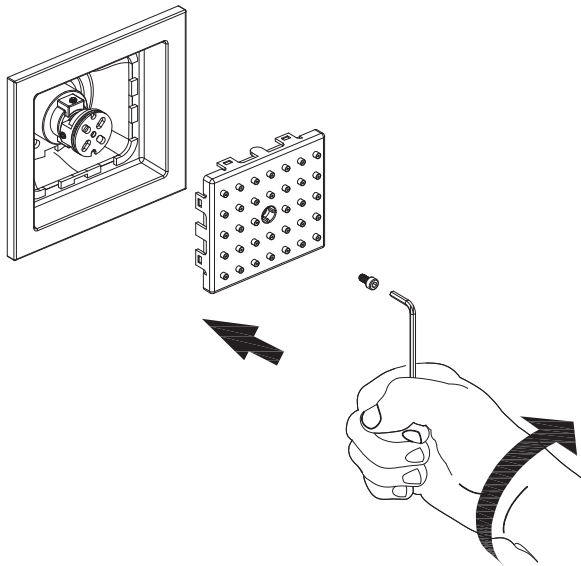
Use this diagram to understand how the body jet components to understand how they fit together.

19



Secure the body jet components into place with the set screws.

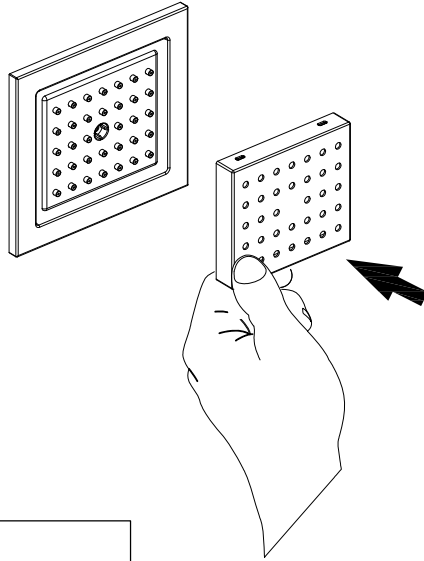
20



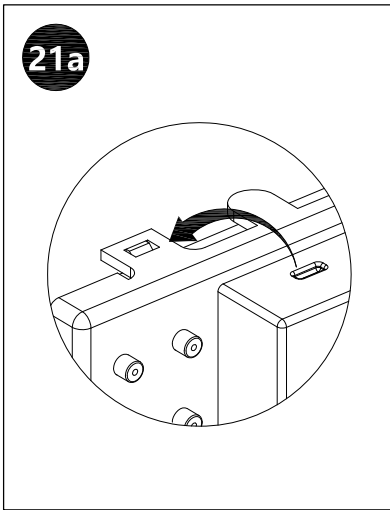
Secure the front plate with the set screw.

3 POINT SHOWER SYSTEM (CBY-SHS-T3)

21



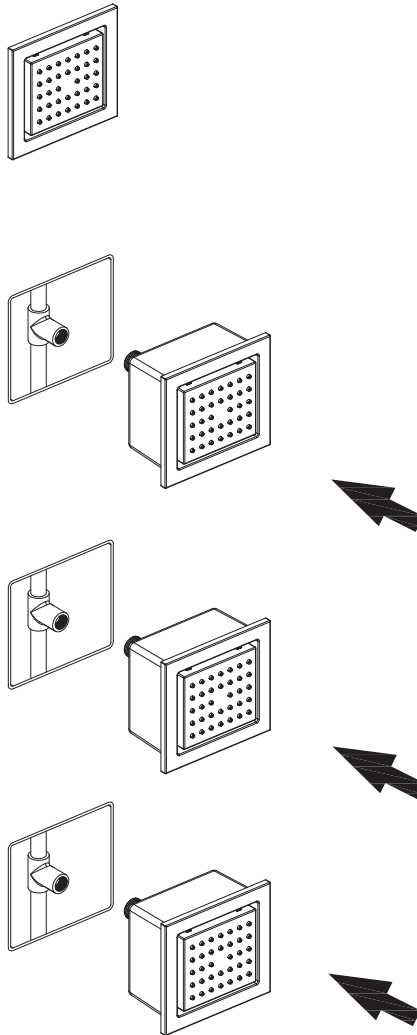
21a



Snap the front of the body jet into place.

3 POINT SHOWER SYSTEM (CBY-SHS-T3)

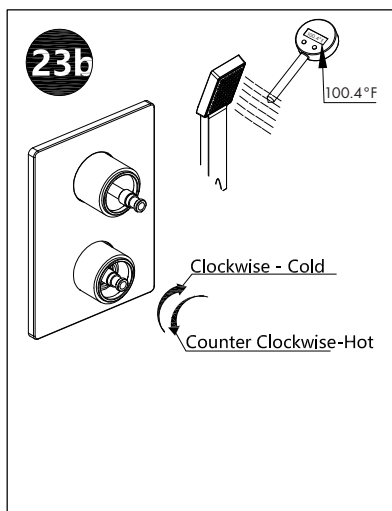
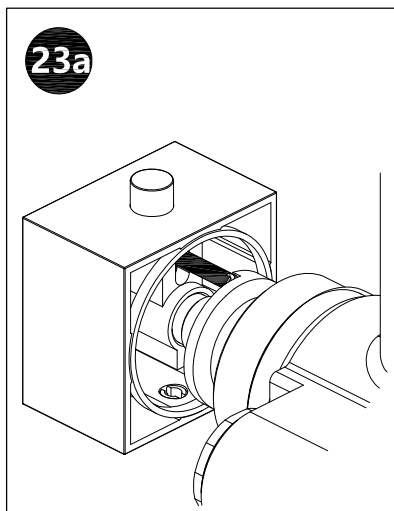
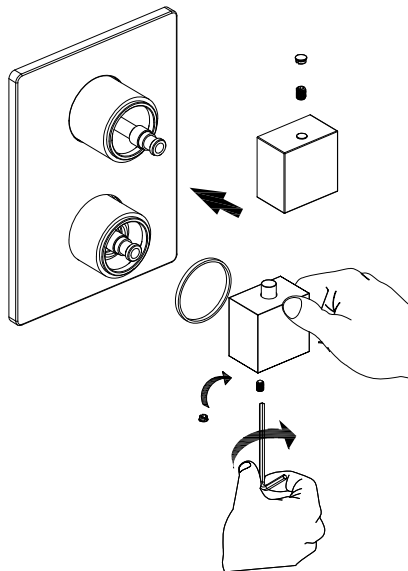
22



Repeat for each body jet.

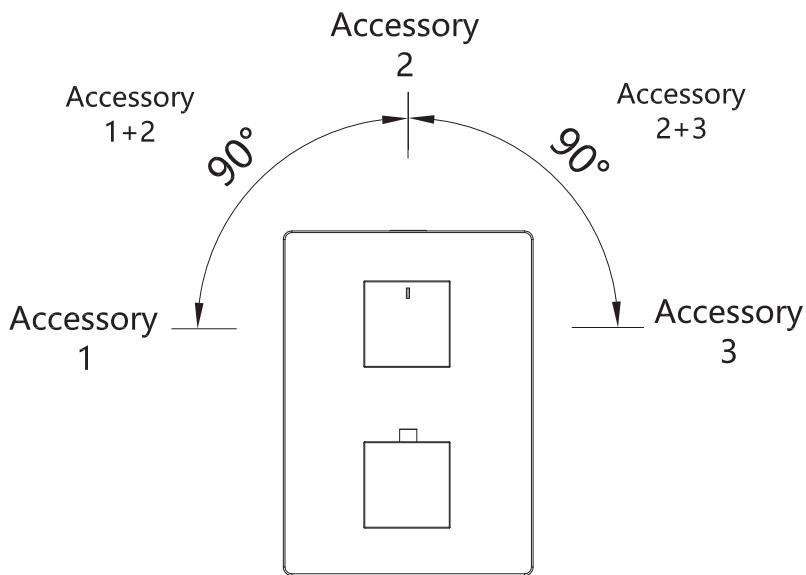
3 POINT SHOWER SYSTEM (CBY-SHS-T3)

23



Use a thermometer to calibrate the cartridge. Make sure the water temperature is 100.4°F.

24



Review the diagram to understand the settings.

TROUBLESHOOTING

Problem	Possible Cause	Solution
There is leakage under the handle.	The locking nut has come loose.	Unscrew the lever on the handle by hand. Loosen set screw with a hex wrench. Remove the handle and unscrew trim cap by hand. Tighten locking nut with an adjustable wrench.
Water will not shut off completely.	Cartridge may be defective.	Unscrew the level on the handle by hand. Loosen set screw with a hex wrench. Remove the handle and unscrew trim cap by hand. Unscrew the locking nut with an adjustable wrench. Remove ceramic disc cartridge. Check for cracks.
There is a leak between the spray head and the hose.	The spray head may be loose or the washer is not seated correctly in the hose connection.	Tighten the spray head by hand until snug. Make sure the washer is seated correctly.



ZLINE

Three Locations:

350 Parr Circle
Reno, NV 89512

916 Delaware Avenue
Marysville, OH 43040

427 Rowland Mill Road
Bruceston, TN 38317

www.zlinekitchen.com

1-614-777-5004