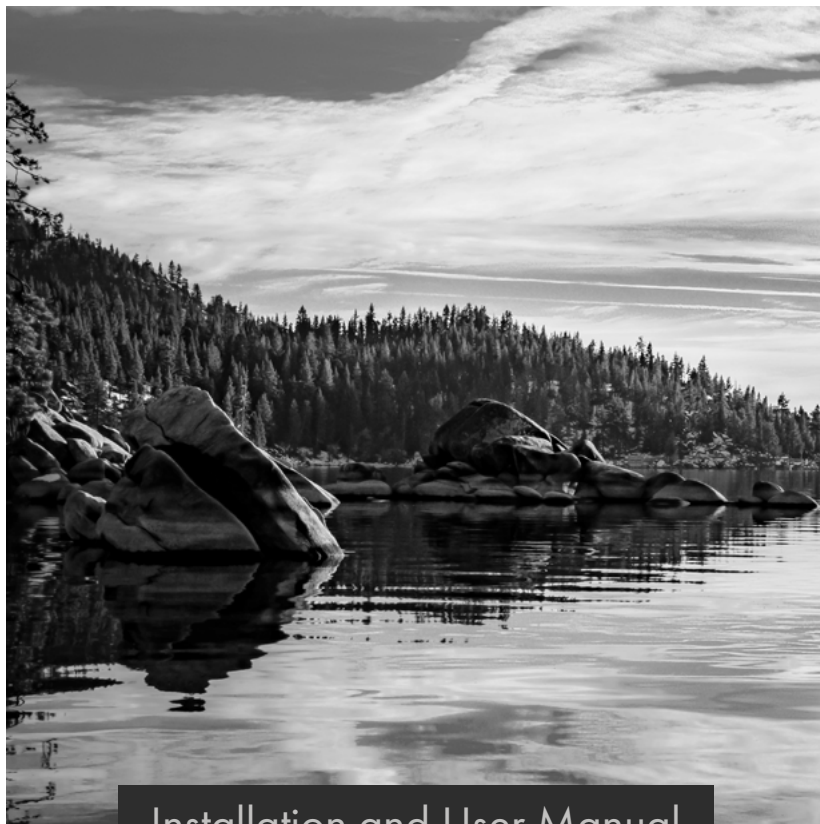


ZLINE

ATTAINABLE LUXURY[®]



Installation and User Manual

SHOWER SYSTEMS BLISS & EL DORADO

www.zlinekitchen.com



ZLINE Kitchen and Bath provides Attainable Luxury, where the kitchen and bath of your dreams is never out of reach. Through our unique designs and unparalleled quality, we're dedicated to providing you an elevated experience in the heart of your home. With an endless selection of features and finishes, our inspiration is your reality.

ZLINE
ATTAINABLE LUXURY®



ZLINE is fueled by a passion for innovation; A relentless pursuit of bringing the highest end luxury designs and professional features into everyone's homes. Because we continually strive to improve our products, we may change specifications and designs without prior notice.

⚠ WARNING: This product can expose you to chemicals including nickel, which is known to the State of California to cause cancer. For more information, go to www.P65Warnings.ca.gov.

TABLE OF CONTENTS

IMPORTANT SAFETY INFORMATION	1
BLISS SHOWER SYSTEM	3
BLISS TUB FILLER	10
BLISS SHOWER FAUCET	14
EL DORADO SHOWER SYSTEM	19
EL DORADO SHOWER FAUCET	26
CARE AND MAINTENANCE	31
TROUBLESHOOTING	32

IMPORTANT SAFETY INFORMATION

PRIOR TO INSTALLATION

- Make sure that the cold and hot water lines are turned off.
- Wrap all threaded connections with Teflon tape. Always wrap in a clockwise direction.
- Cover your drain to avoid losing parts.
- Do not disassemble the main system body, as it has been installed and commissioned correctly and precisely before delivery to the factory.
- To keep the system from jamming, flush the water pipe before installation.

Operating conditions: Working pressure at 0.05-1.0 MPa (including cold and hot water pressure) with applicable water temperature: 39.2°F - 194°F.

- If soldering the water connections when installing the system, remove the O-rings, cartridges, and washers before applying any heat.
- Protect your eyes when cutting or soldering.
- Do not over tighten screws/nuts. Finger tighten, then use a wrench/screwdriver to tighten the fixing screw/nut until snug.

IMPORTANT SAFETY INFORMATION

TOOLS NEEDED:

- Wrench
- Screwdriver
- Hammer
- Drill

TIME REQUIRED: +/- 120 minutes

LEGEND:



Hot water



Cold water



Torch



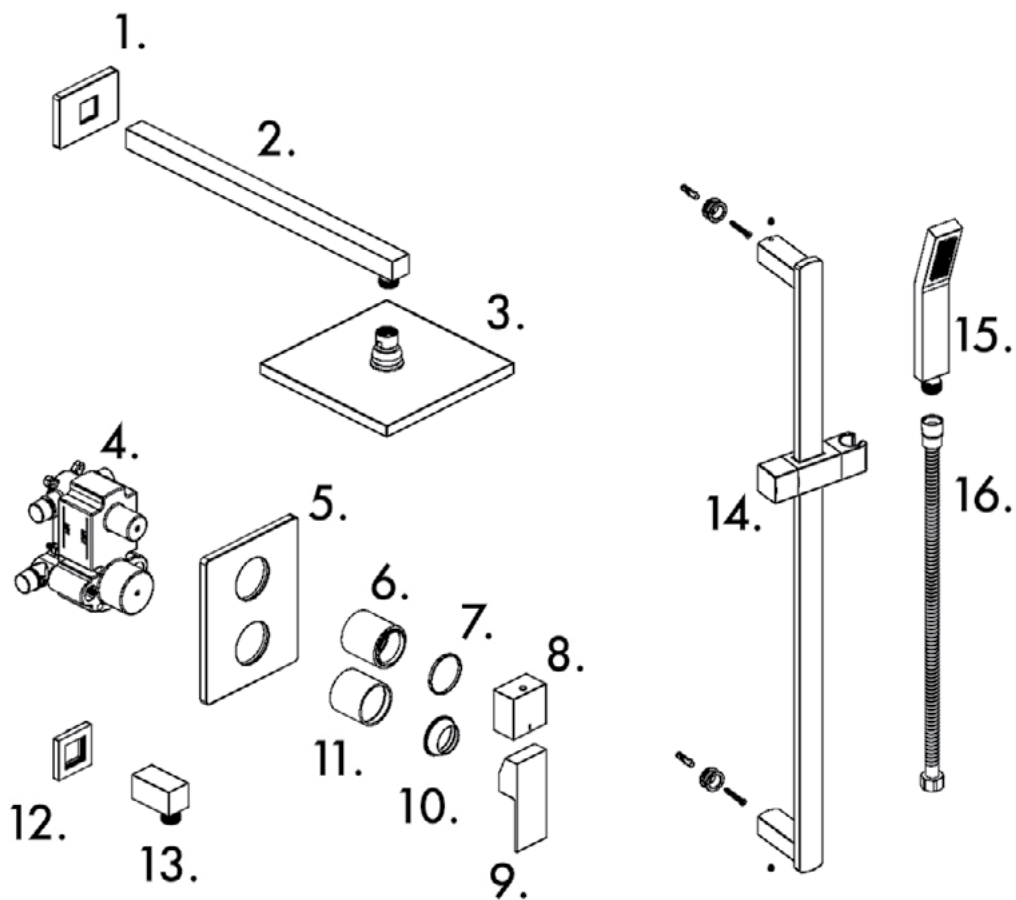
Warning



Plumber's tape

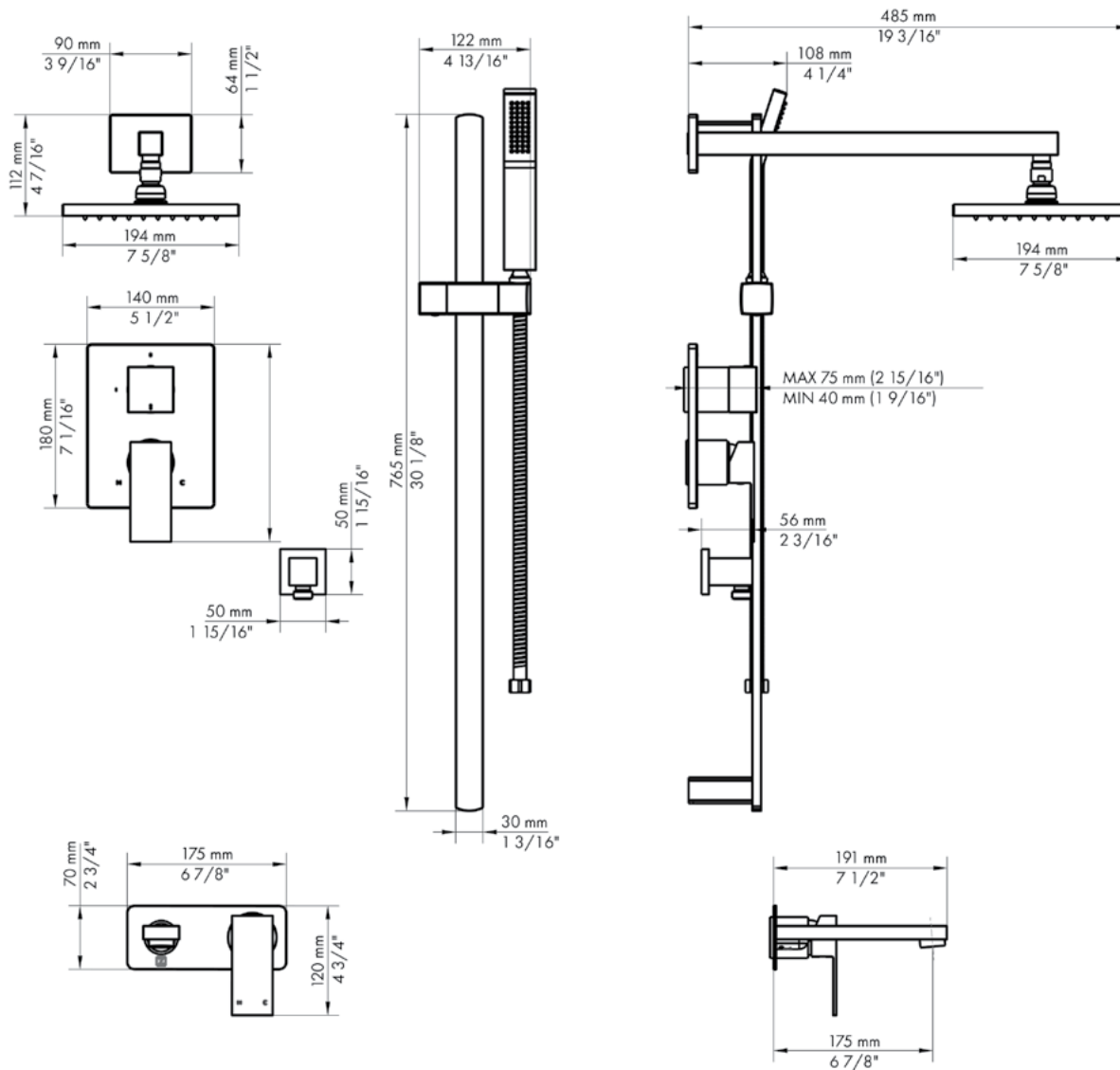
BLISS SHOWER SYSTEM

BEFORE INSTALLATION

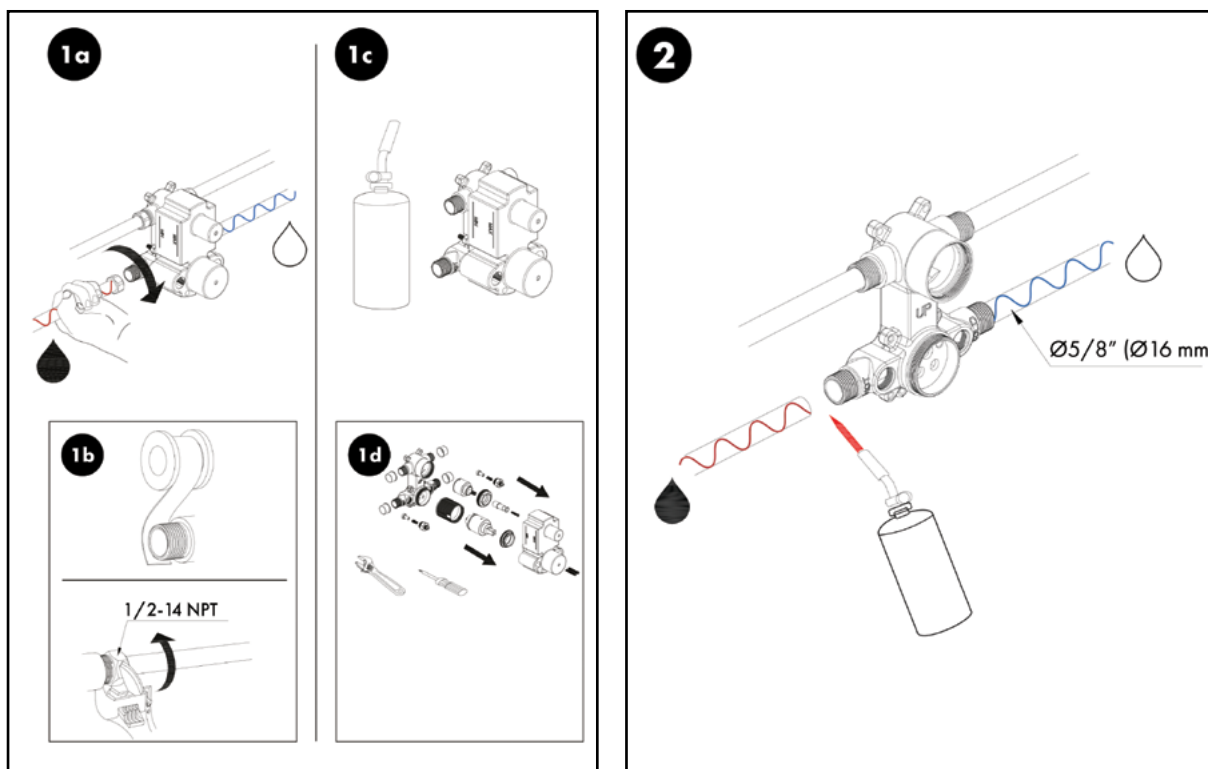


1. Flange cover
2. Shower arm
3. Top spray shower
4. Wall valve body
5. Faceplate
6. Sleeve
7. Washer
8. Tooth
9. Screw
10. Handle
11. Handle
12. Flange cover
13. Angle valve
14. Shower rail
15. Shower handle
16. Hose

BLISS SHOWER SYSTEM BEFORE INSTALLATION



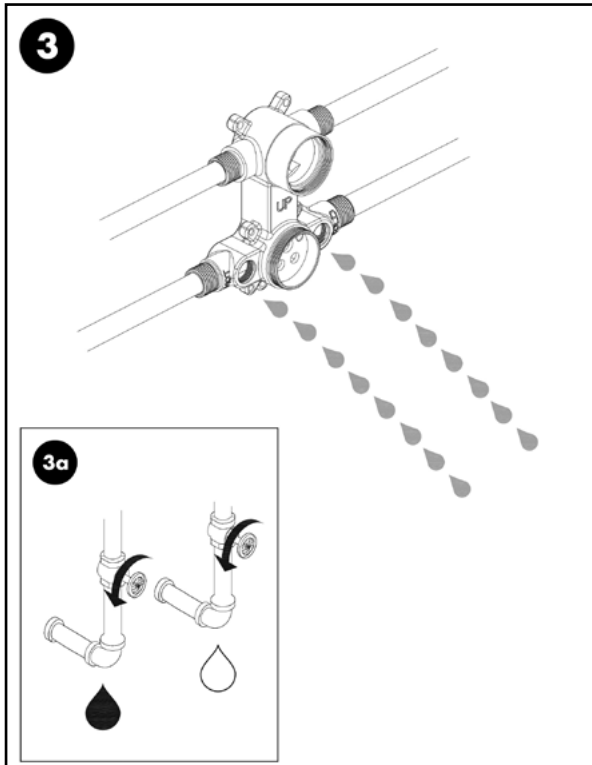
BLISS SHOWER SYSTEM INSTALLATION



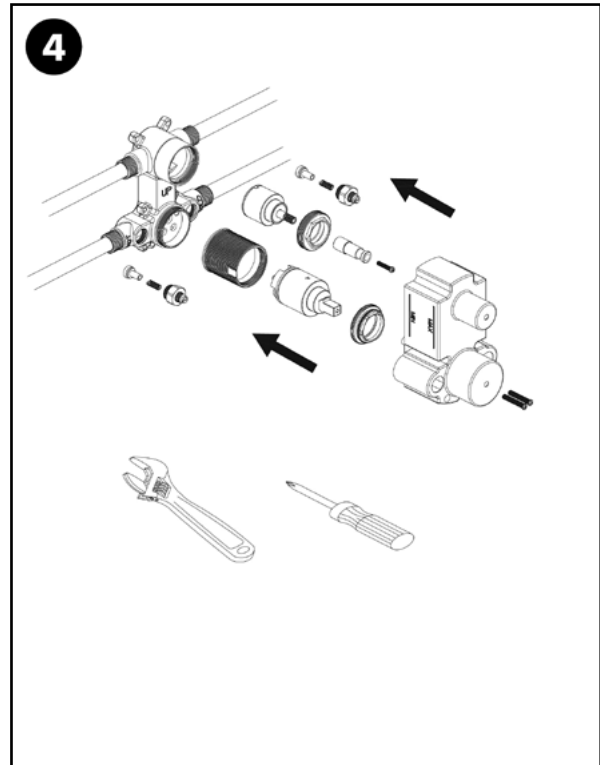
Slide the sleeves onto the pipes and then insert pipes into the wall valve. Tighten the ring around the pipes with the wrench. NOTE: If soldering is involved, you must remove the internal valve components prior to the soldering. Please note the original position of the cartridge.

Solder the copper together.

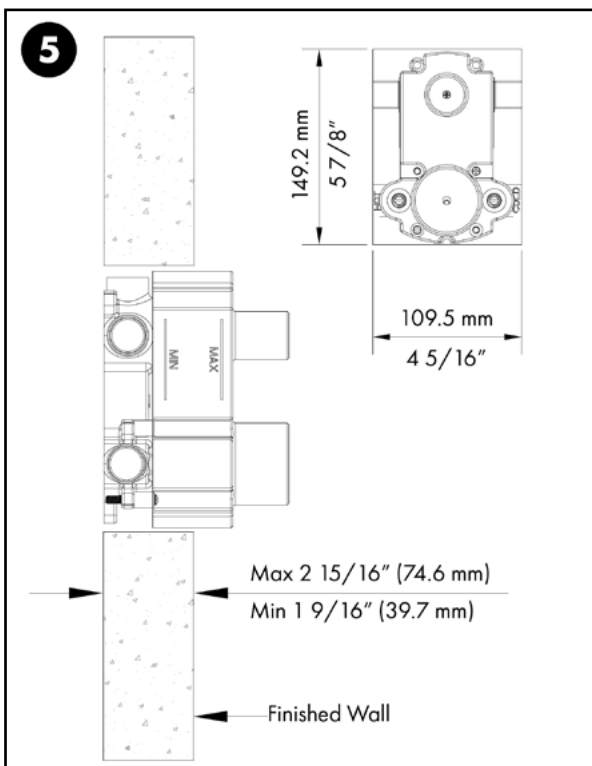
BLISS SHOWER SYSTEM INSTALLATION



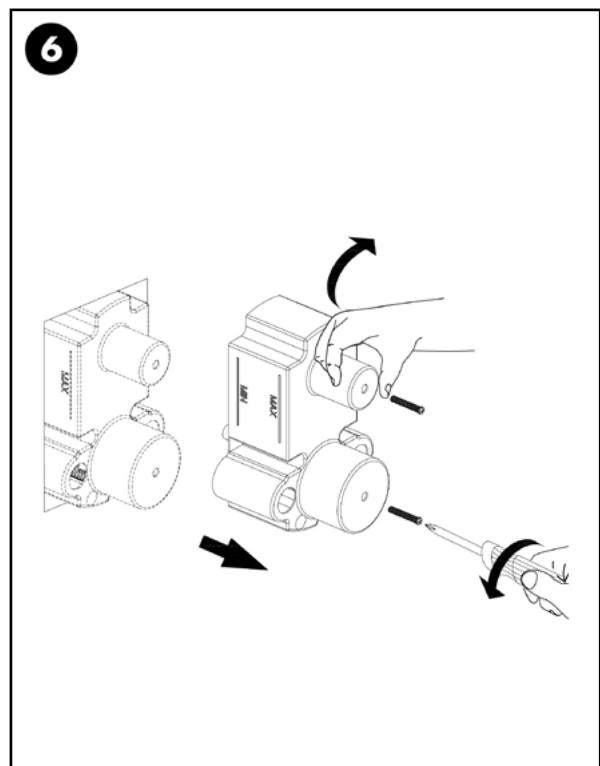
After soldering, purge the water supply system for 30 seconds.



Reinstall the valve components into their original positions.

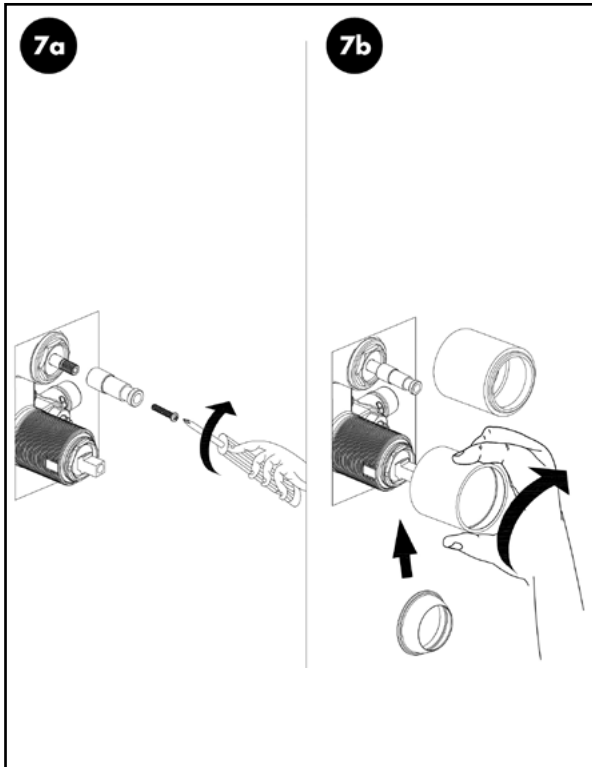


Use this diagram to understand the placement of the wall valve.

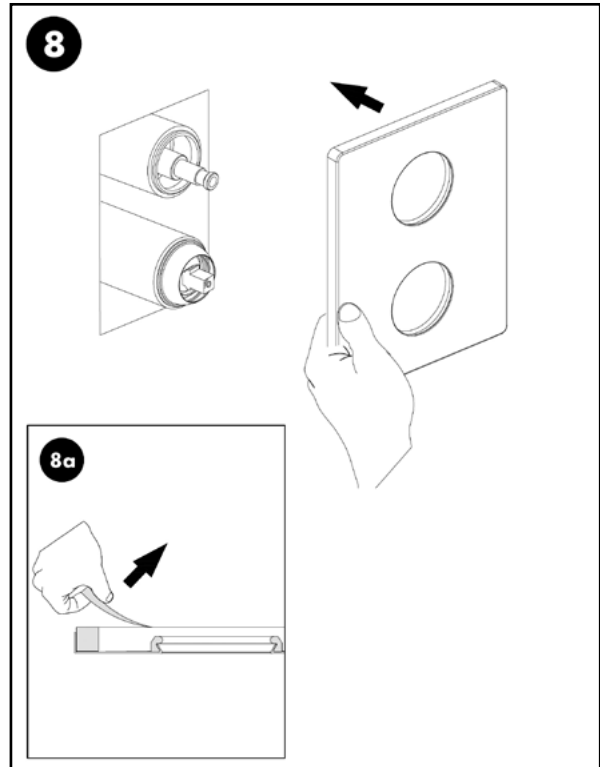


Screw the wall valve body into the system with a screwdriver. Do not overtighten.

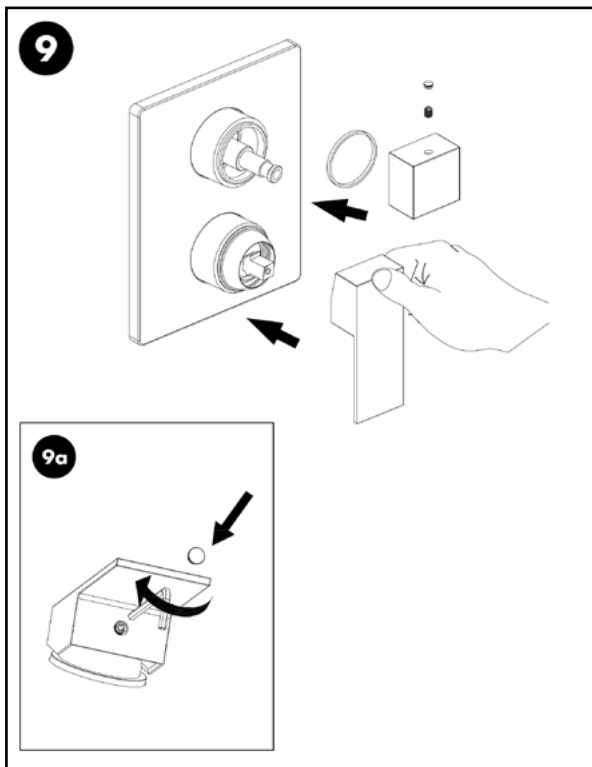
BLISS SHOWER SYSTEM INSTALLATION



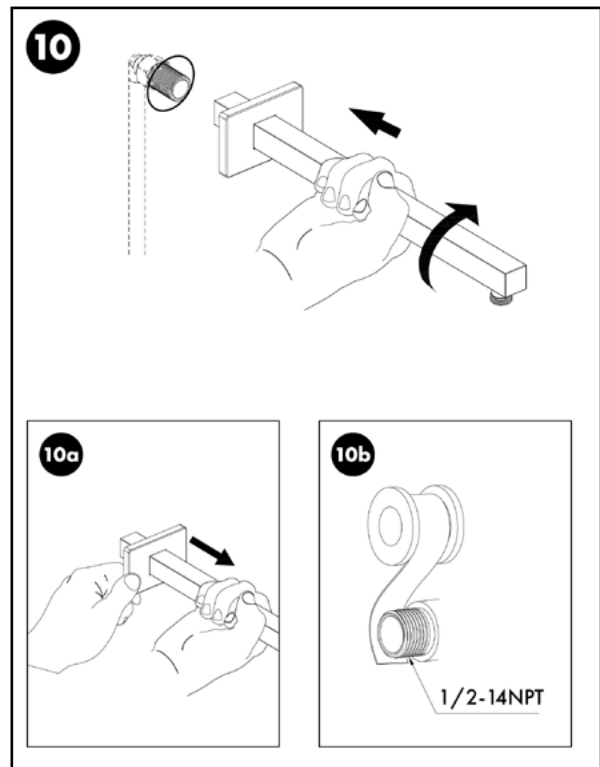
Screw the sleeve and washer into the wall valve body.



Attach the faceplate and remove the plastic.

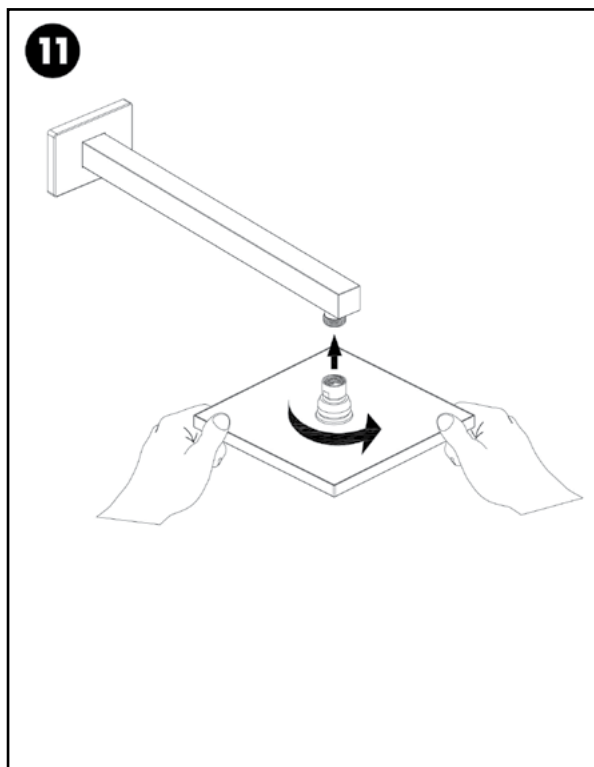


Attach the water control handle.

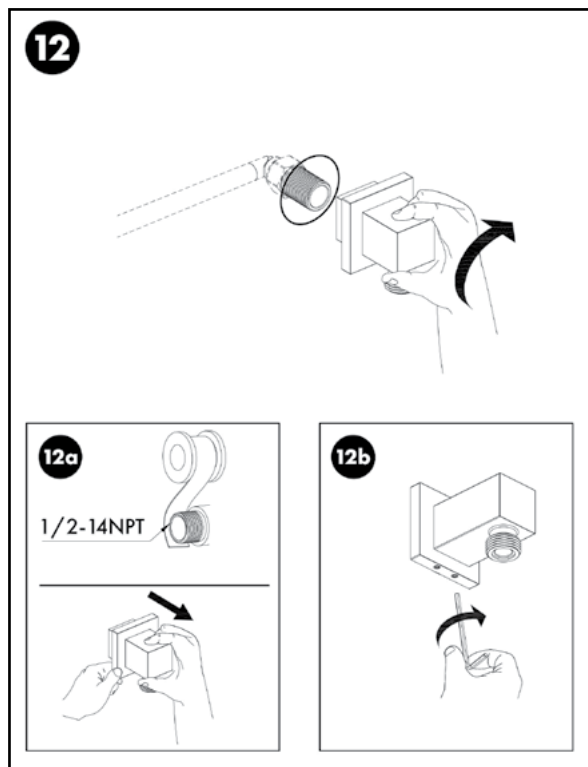


Connect the flange cover to the spout in the wall. Secure with plumber's tape to prevent leaks.

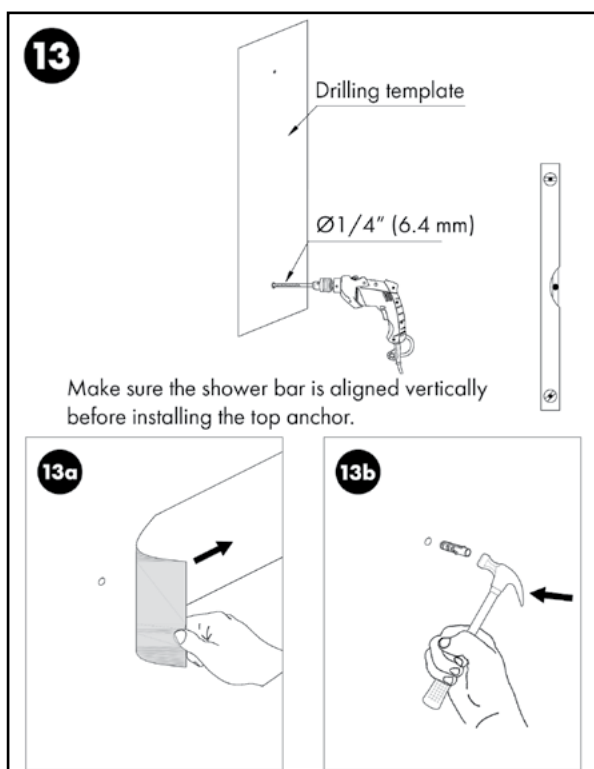
BLISS SHOWER SYSTEM INSTALLATION



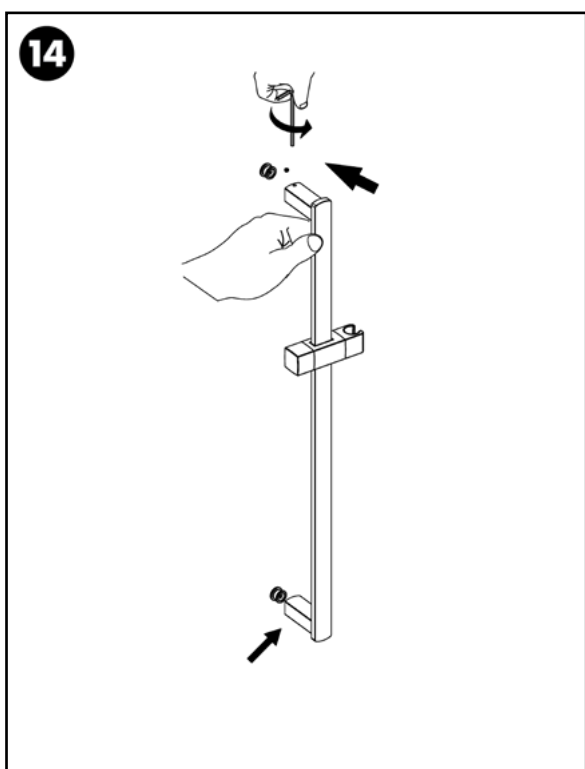
Twist the top spray shower into the shower arm.



Connect the angle valve to the flange cover and screw together. Secure with plumber's tape to prevent leaks.

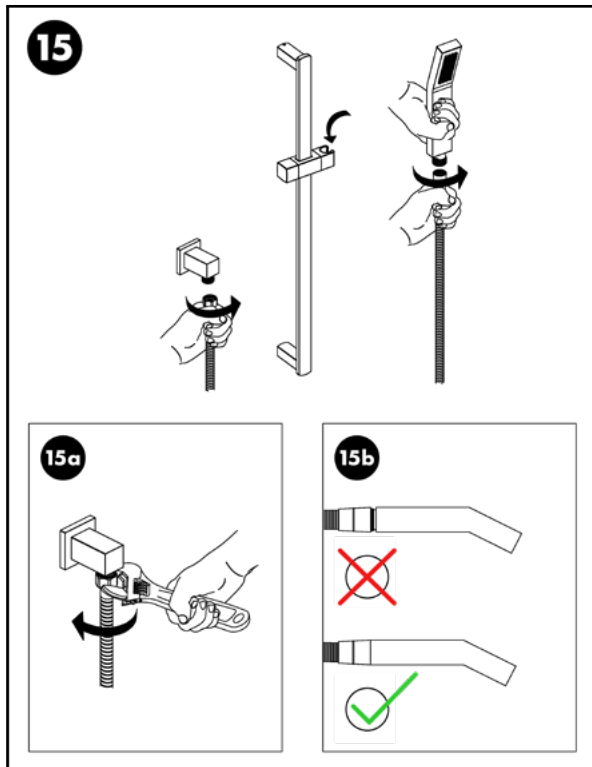


Use a pencil to mark the mounting holes on the wall. Use a hammer to put the screws in.

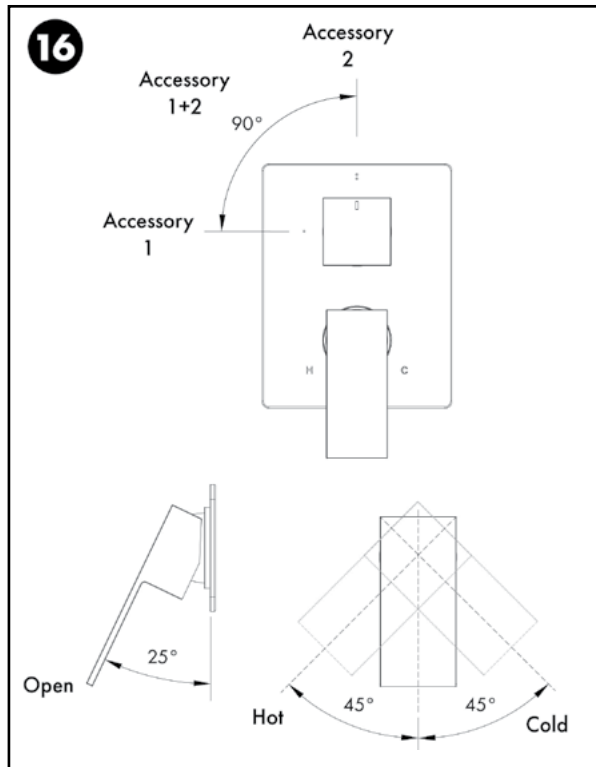


Screw the shower rail into the wall.

BLISS SHOWER SYSTEM OPERATION



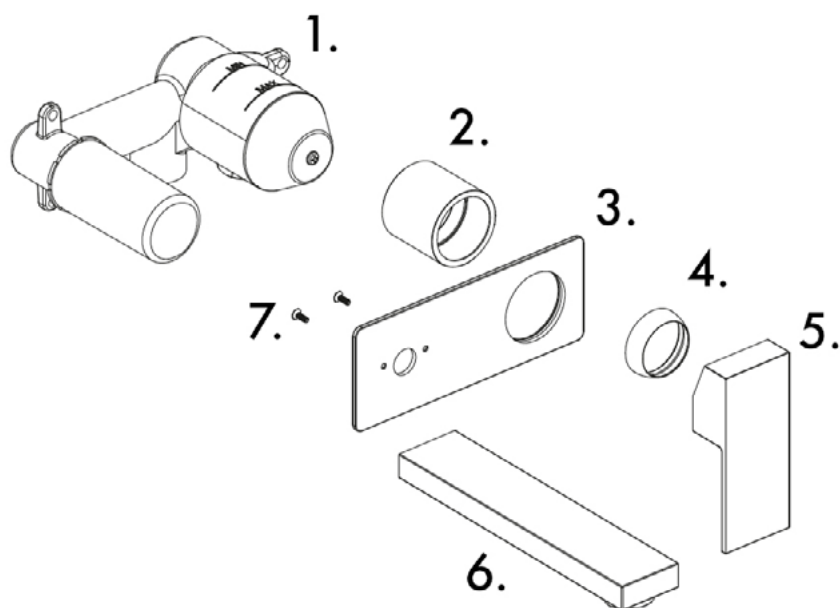
Connect the shower handle to the shower rail. Tighten with a wrench.



Review the diagram to understand the hot, cold, and open settings.

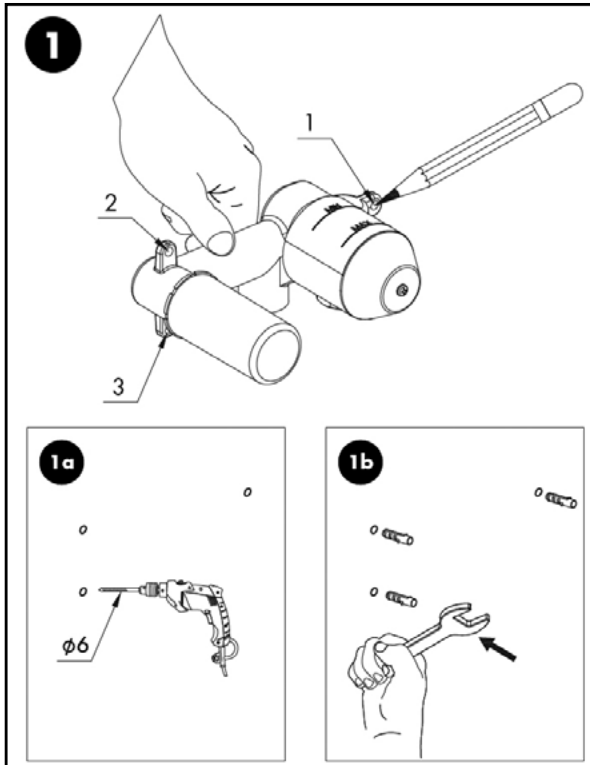
BLISS TUB FILLER

BEFORE INSTALLATION

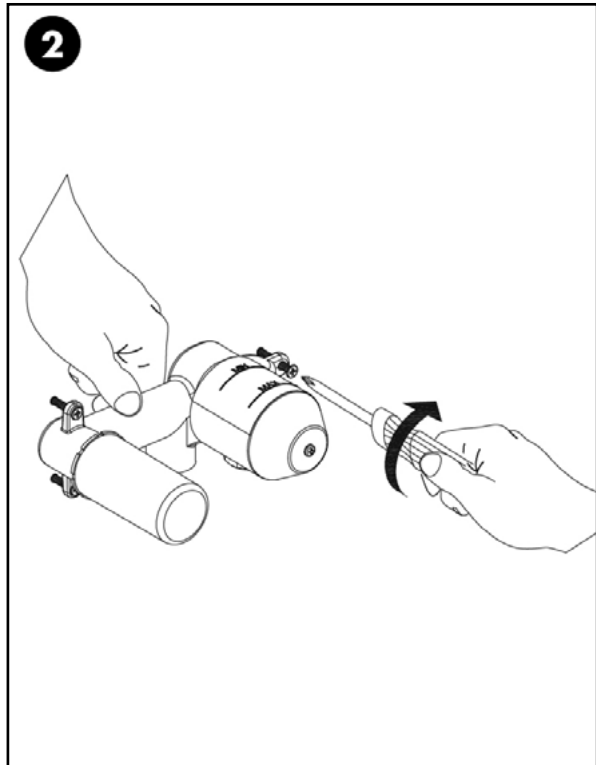


1. Rough-in
2. Sleeve
3. Faceplate
4. Cap
5. Handle
6. Spout
7. Screw

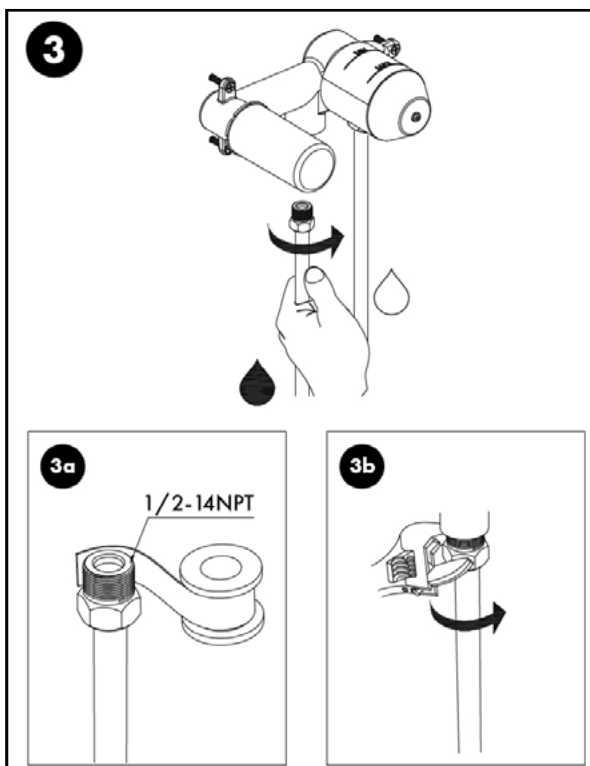
BLISS TUB FILLER INSTALLATION



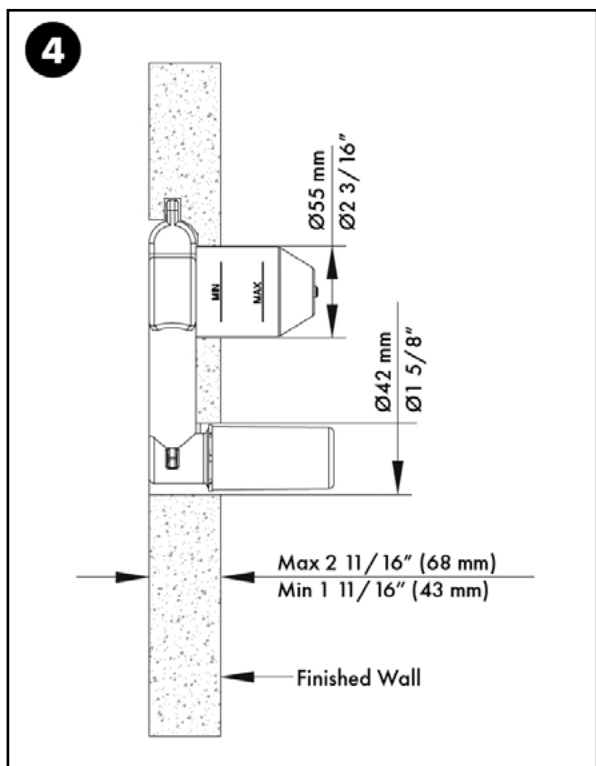
Mark on the wall where you want the faucet to be installed.



Use a screwdriver to screw the faucet onto the wall.

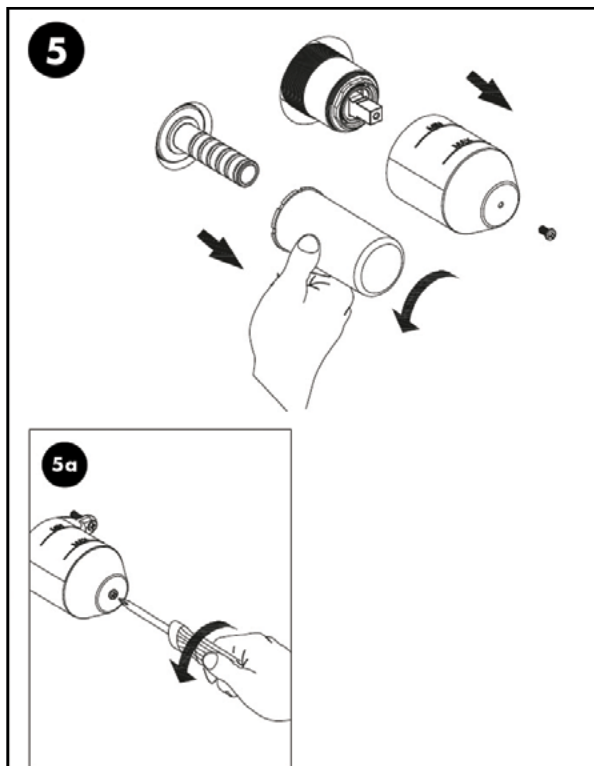


Attach the hose using plumbing tape and a wrench.

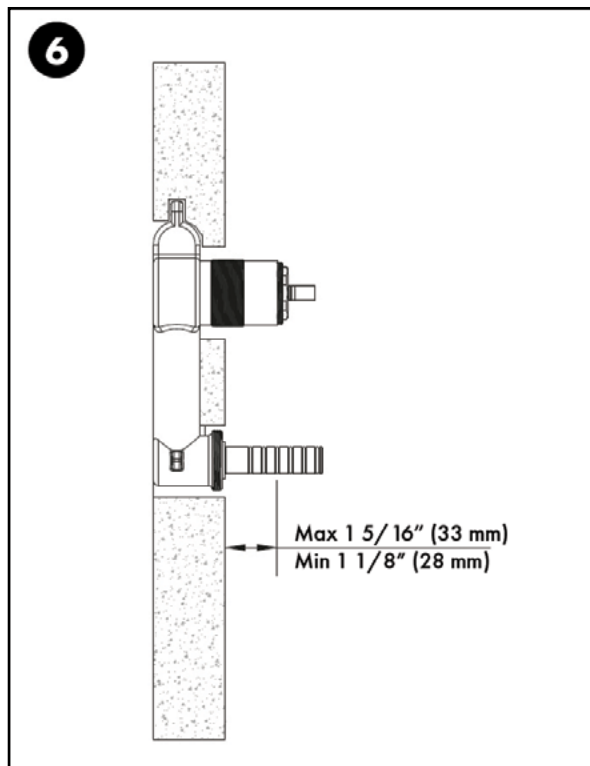


Place the components in the appropriate location.

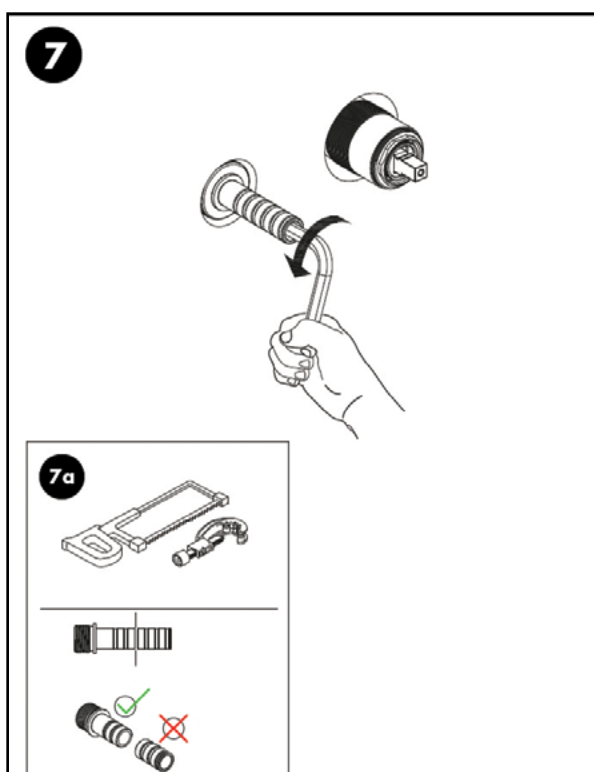
BLISS TUB FILLER INSTALLATION



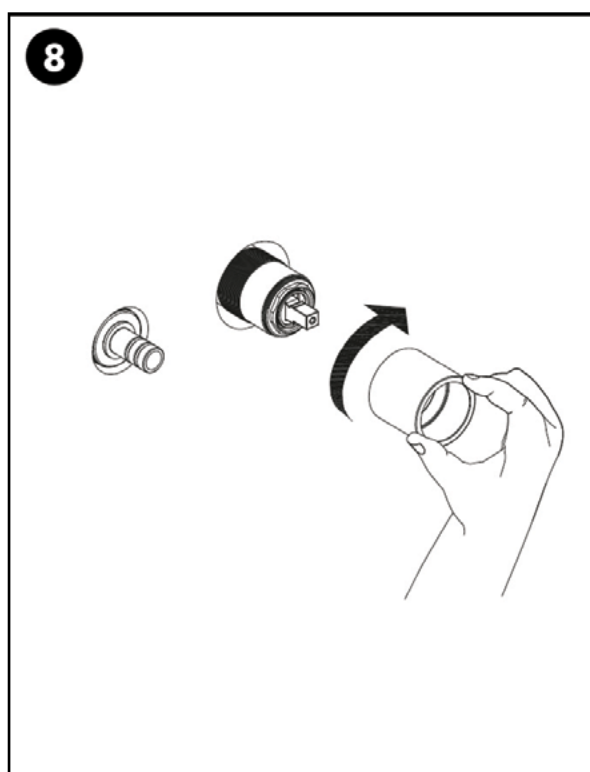
Screw the sleeve and washer into the wall valve body.



Make sure that the components are aligned properly.

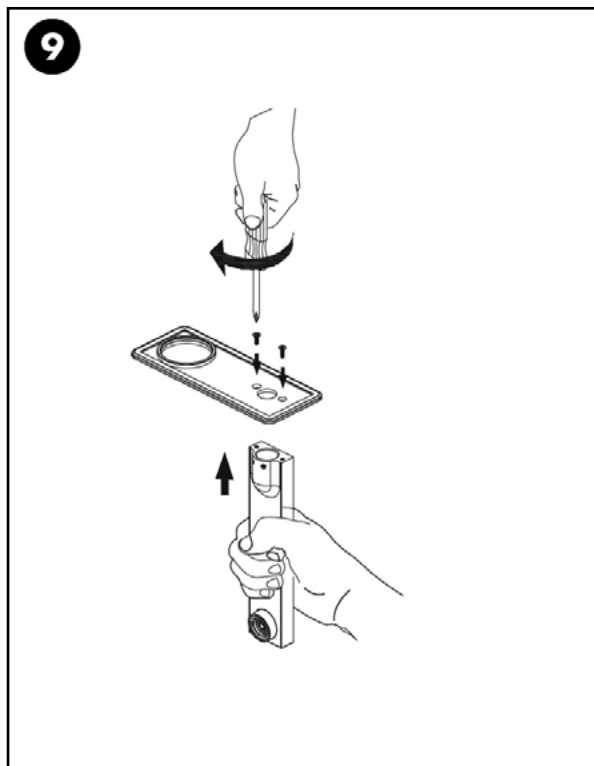


Tighten the components.

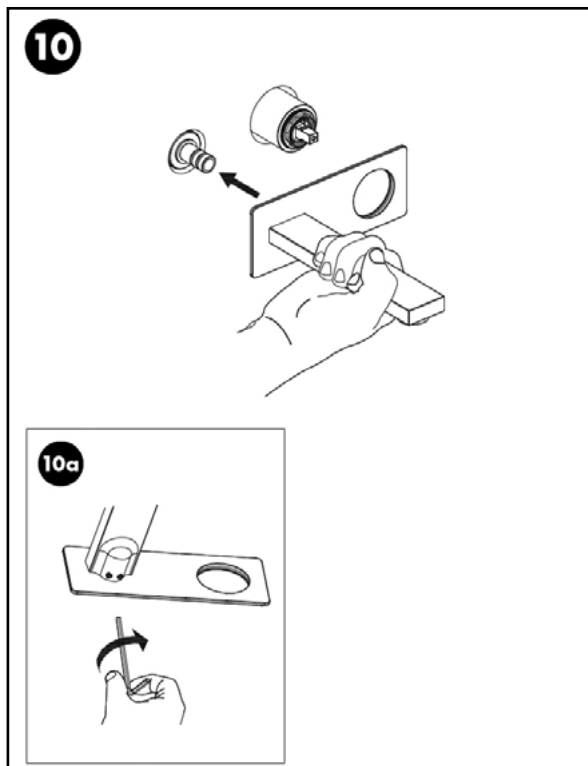


Take off the protective shield.

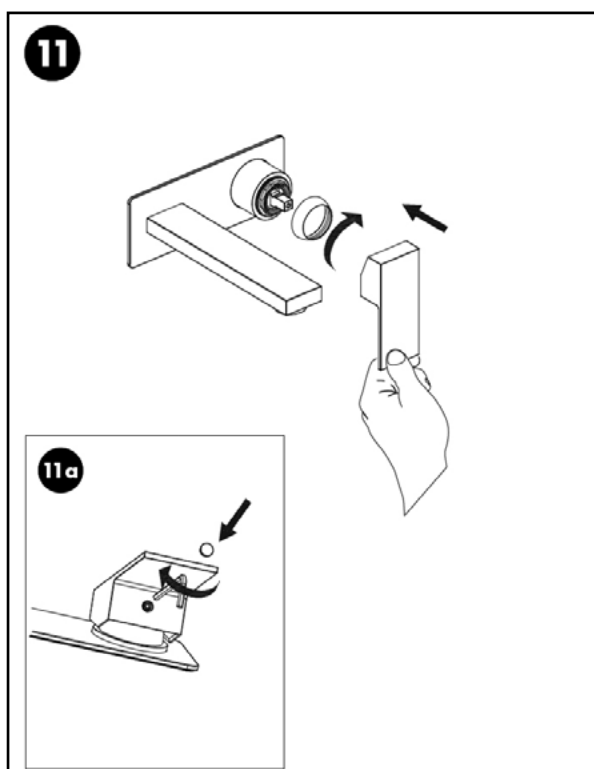
BLISS TUB FILLER INSTALLATION



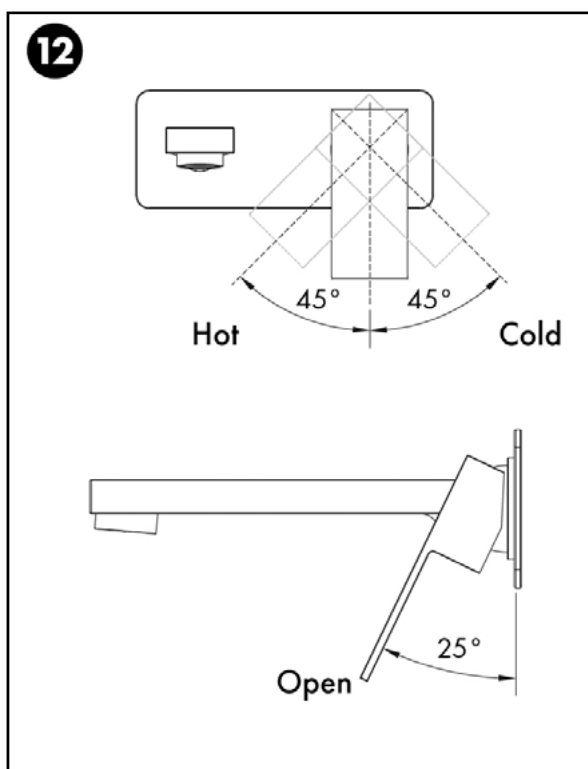
Attach faucet to base plate.



Attach base plate to wall.



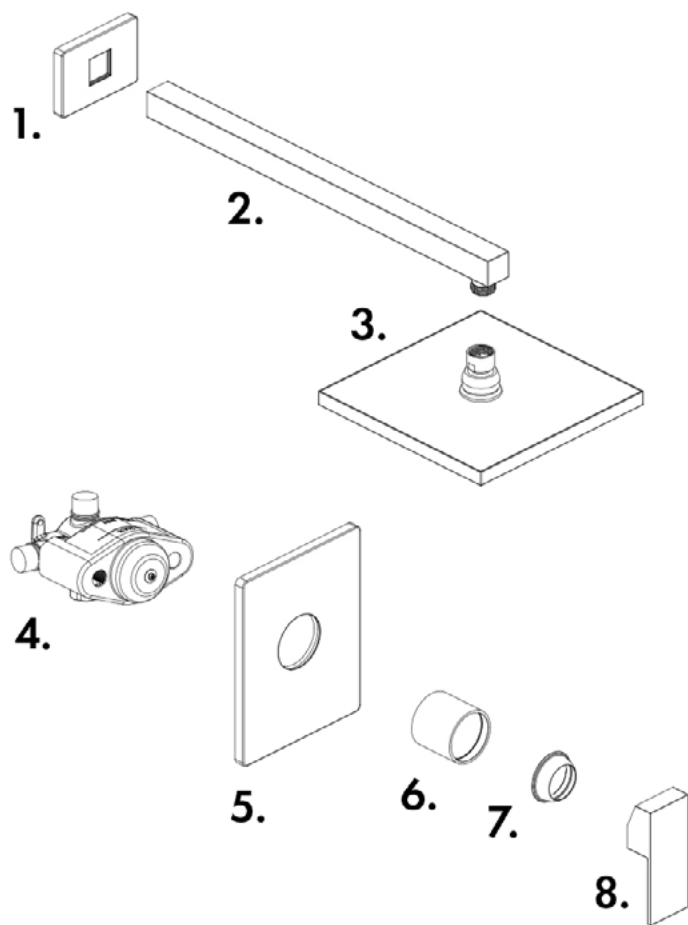
Attach handle to the fixture.



Review the diagram to understand the hot, cold, and open settings.

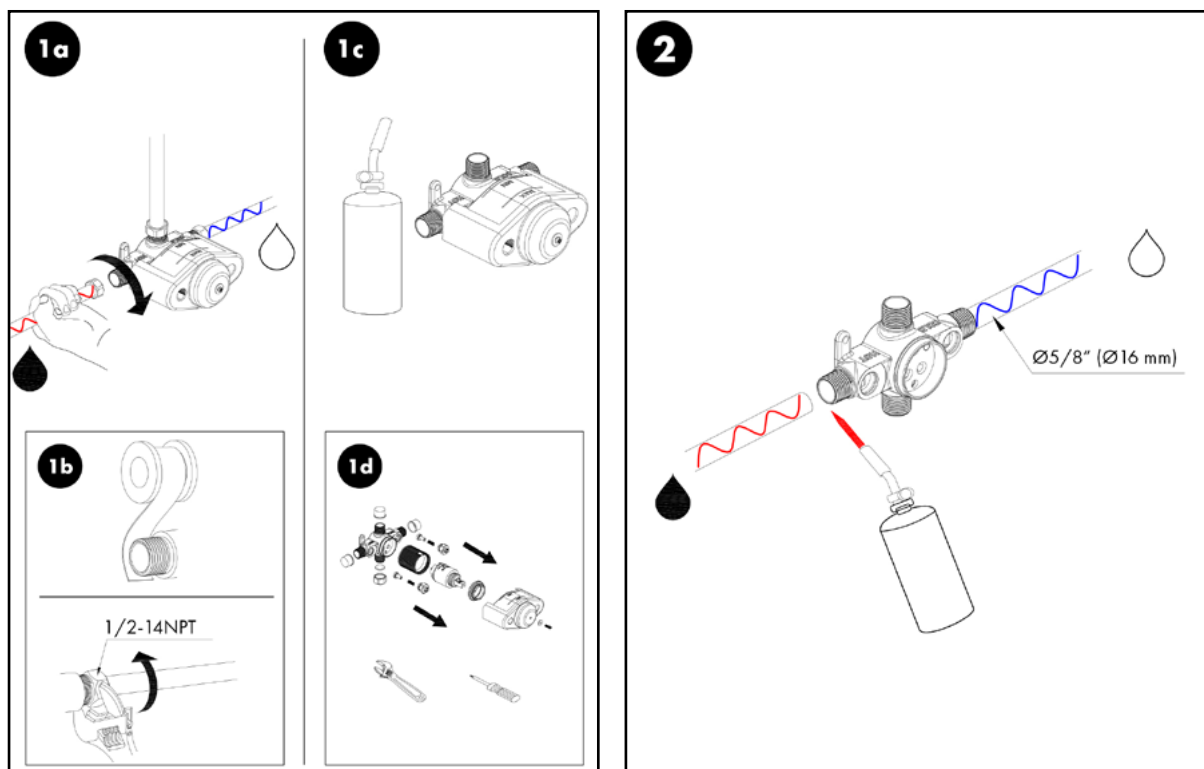
BLISS SHOWER FAUCET

BEFORE INSTALLATION



1. Flange cover
2. Shower arm
3. Top spray shower
4. Wall valve body
5. Faceplate
6. Sleeve
7. Cap
8. Switch handle

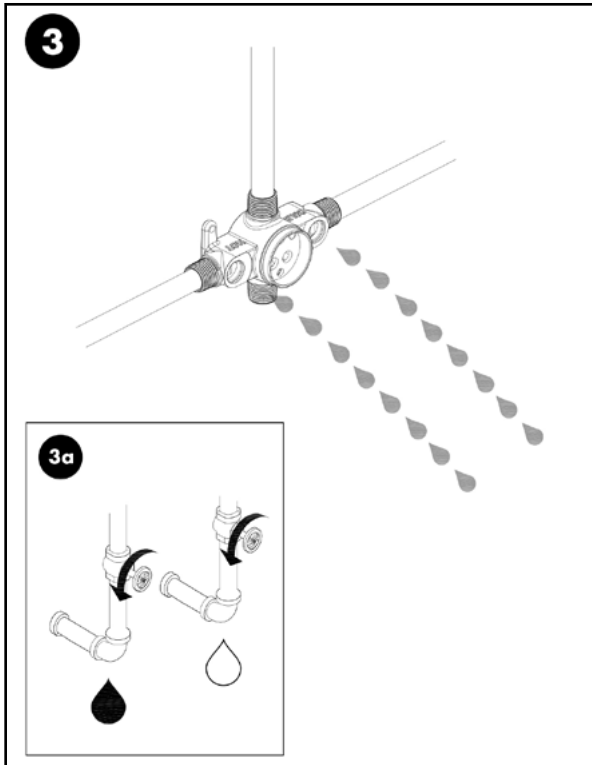
BLISS SHOWER FAUCET INSTALLATION



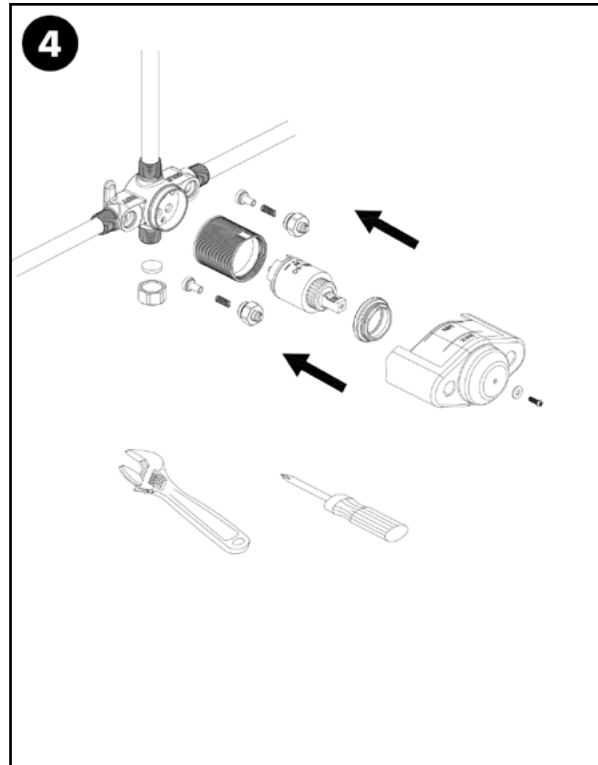
Slide the sleeves onto the pipes and then insert pipes into the wall valve. Tighten the ring around the pipes with the wrench. NOTE: If soldering is involved, you must remove the internal valve components prior to the soldering. Please note the original position of the cartridge.

Solder the copper together.

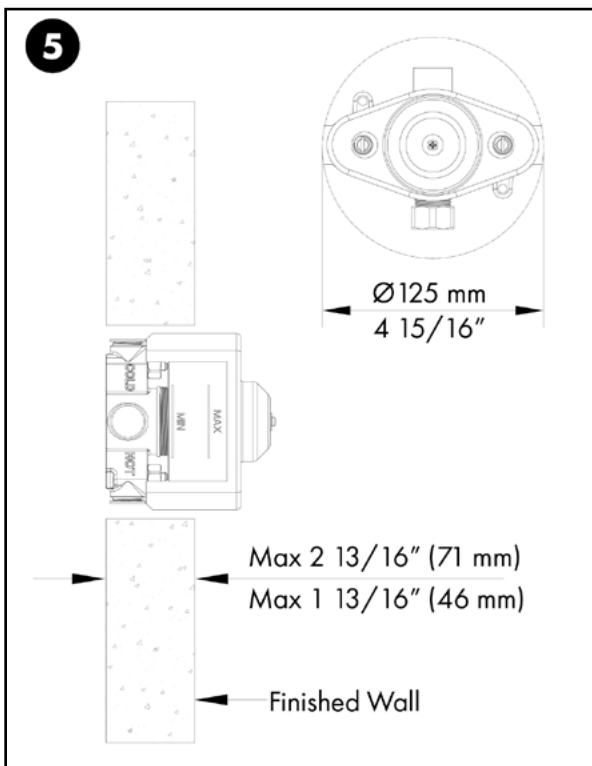
BLISS SHOWER FAUCET INSTALLATION



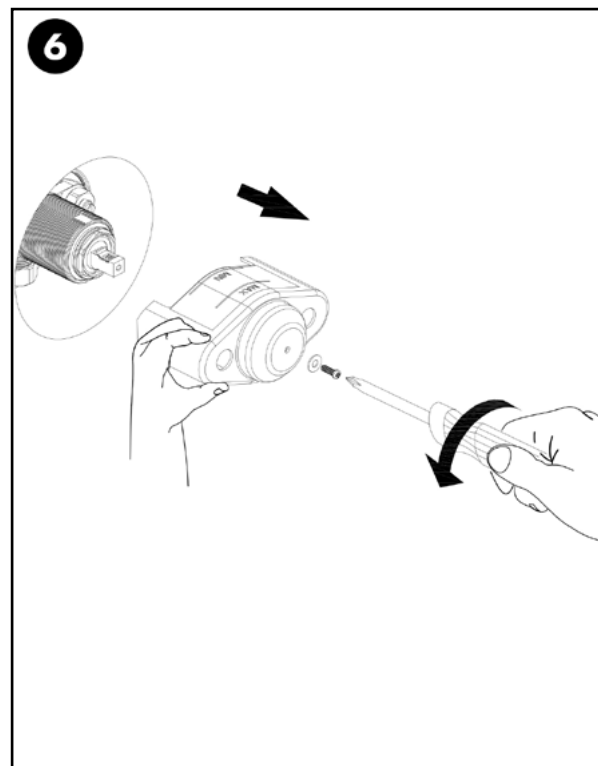
After soldering, purge the water supply system for 30 seconds.



Reinstall the valve components into their original positions.

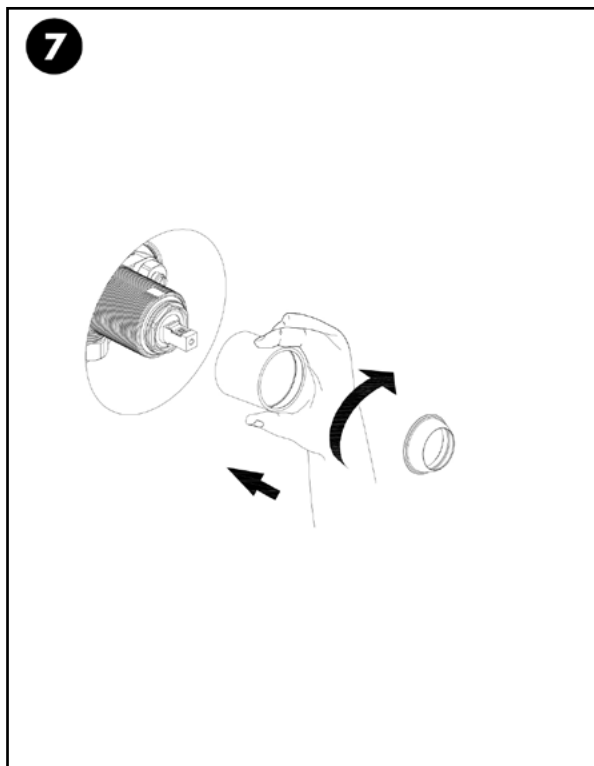


Use this diagram to understand the placement of the wall valve.

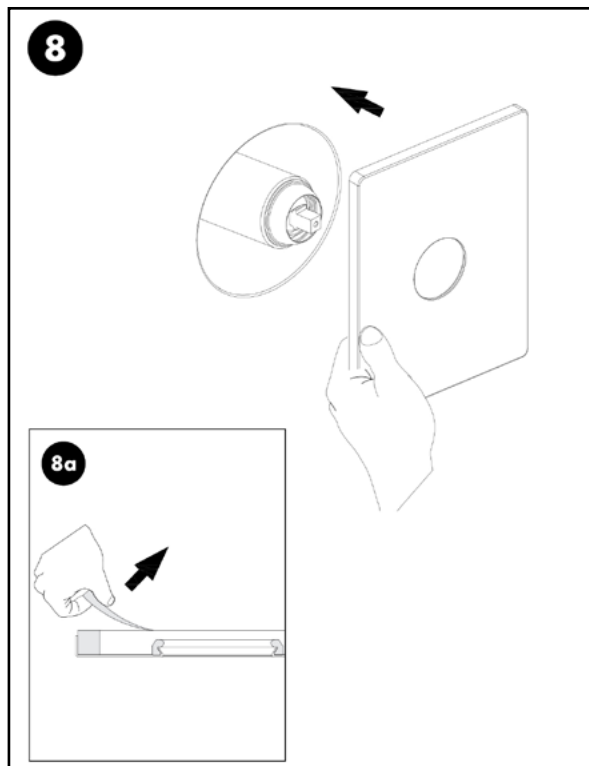


Place the components in the appropriate location.

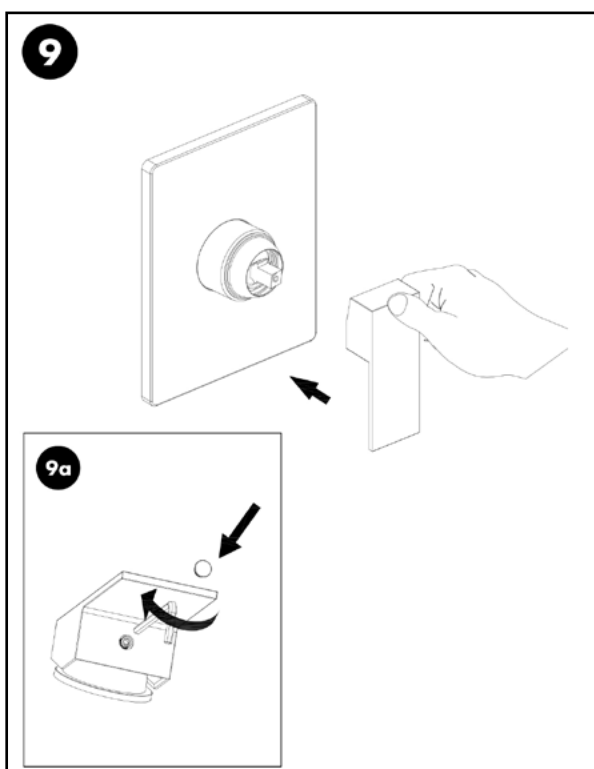
BLISS SHOWER FAUCET INSTALLATION



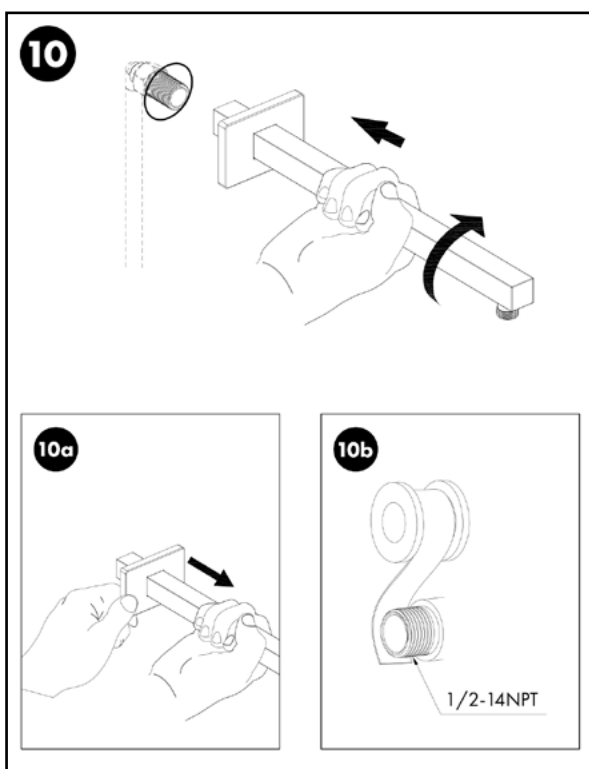
7 Screw the sleeve and washer into the wall valve body.



8 Attach the face plate and remove the plastic.

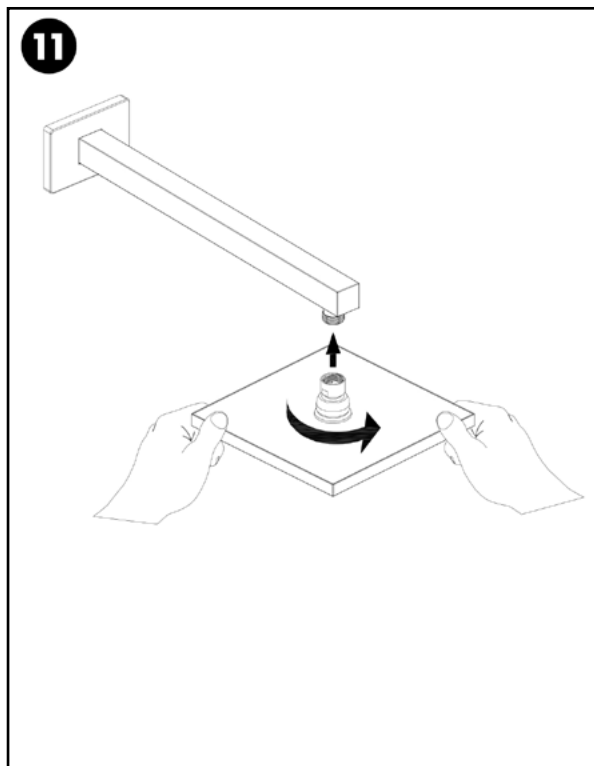


9 Attach the water control handle.

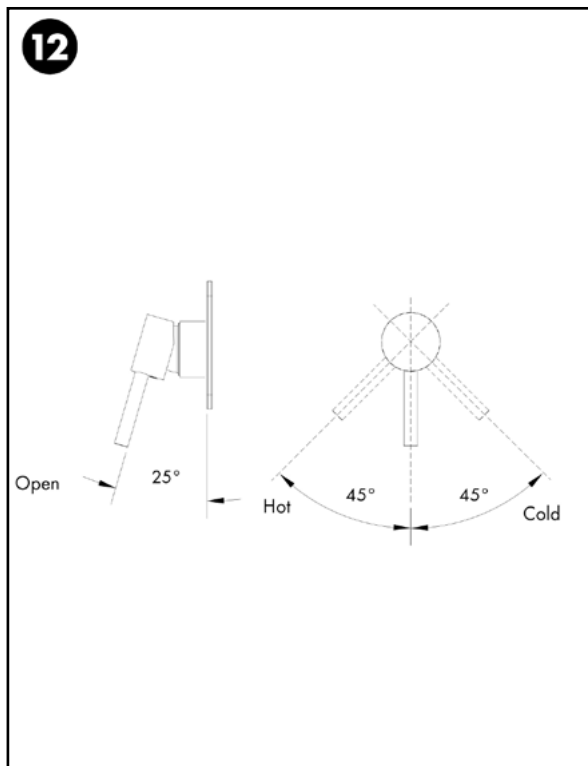


10 Connect the flange cover to the spout in the wall. Secure with plumber's tape to prevent leaks.

BLISS SHOWER FAUCET INSTALLATION



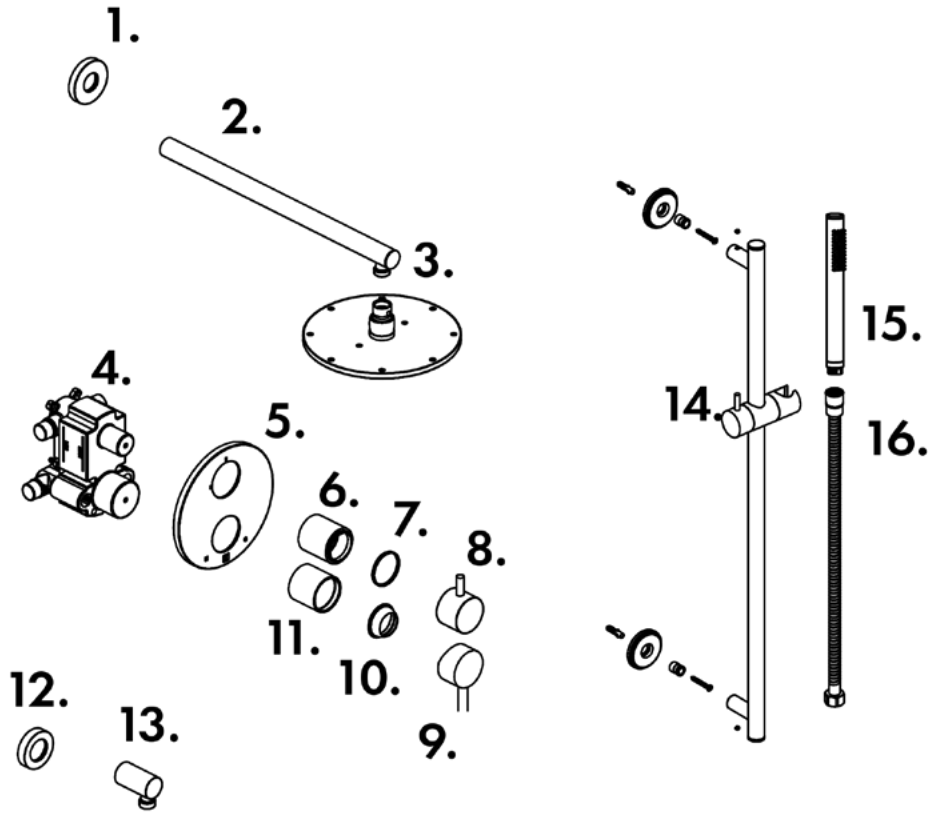
Twist the top spray shower into the shower arm.



Review the diagram to understand the hot, cold, and open settings.

EL DORADO SHOWER SYSTEM

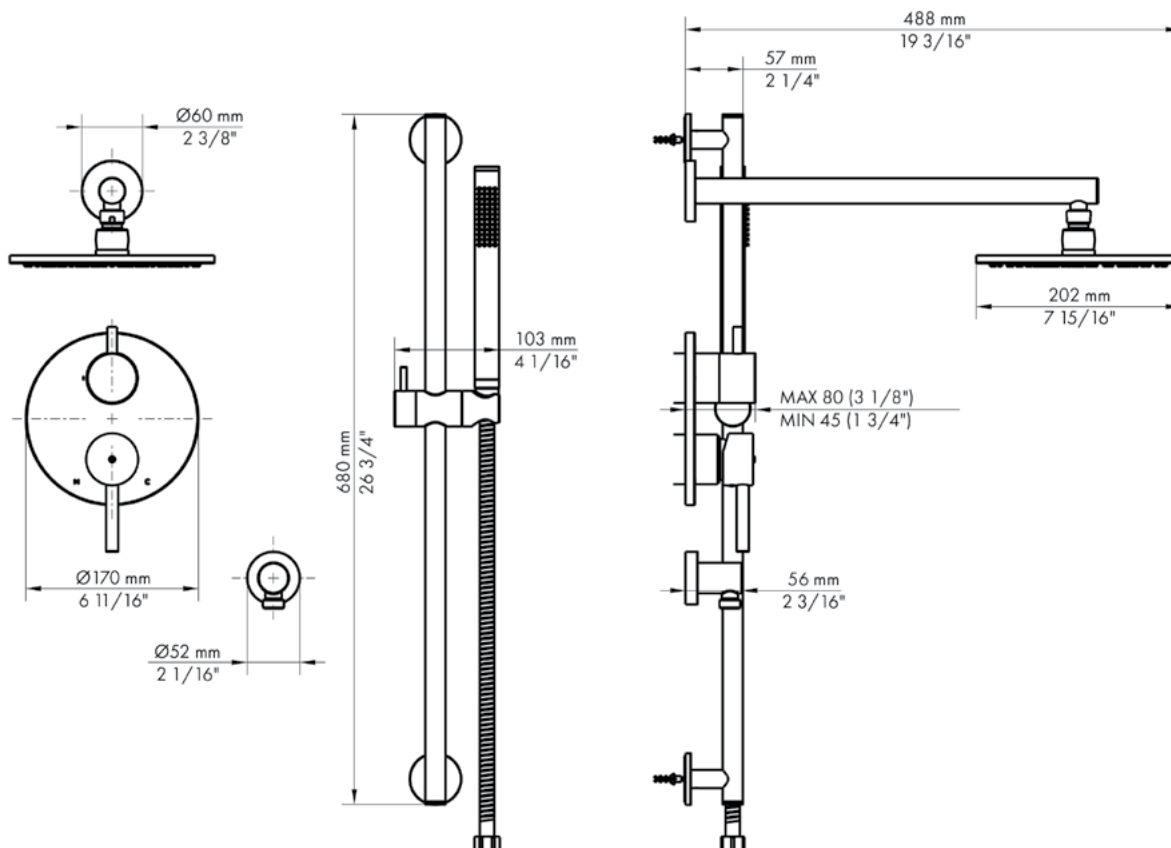
BEFORE INSTALLATION



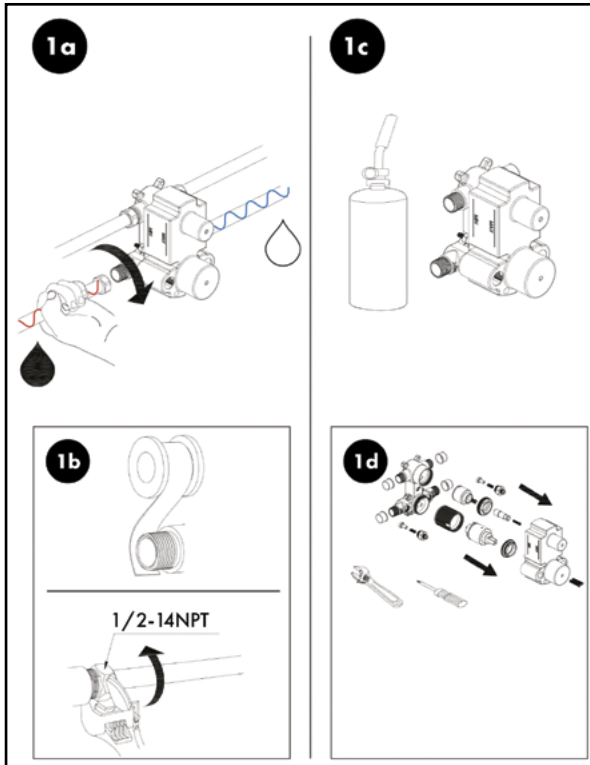
1. Flange cover
2. Shower arm
3. Top spray shower
4. Wall valve body
5. Faceplate
6. Sleeve
7. Washer
8. Tooth
9. Screw
10. Handle
11. Handle
12. Flange cover
13. Angle valve
14. Shower rail
15. Shower handle
16. Hose

EL DORADO SHOWER SYSTEM

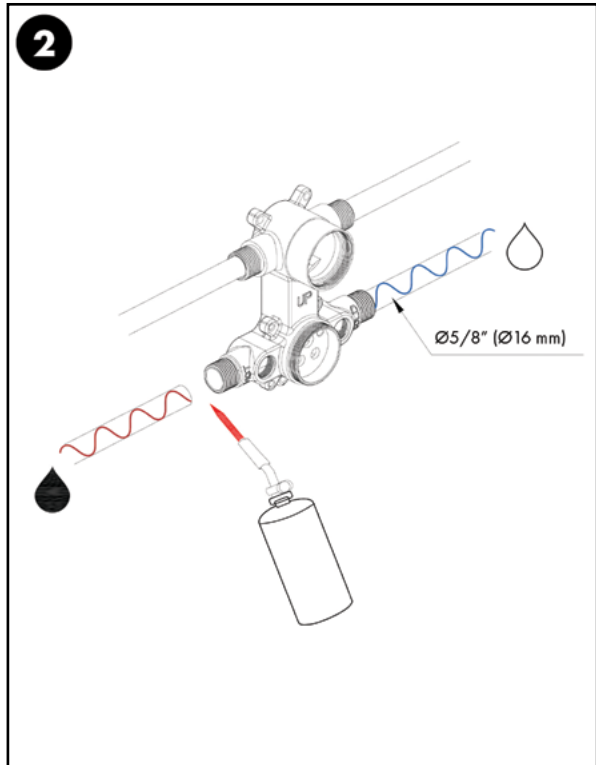
BEFORE INSTALLATION



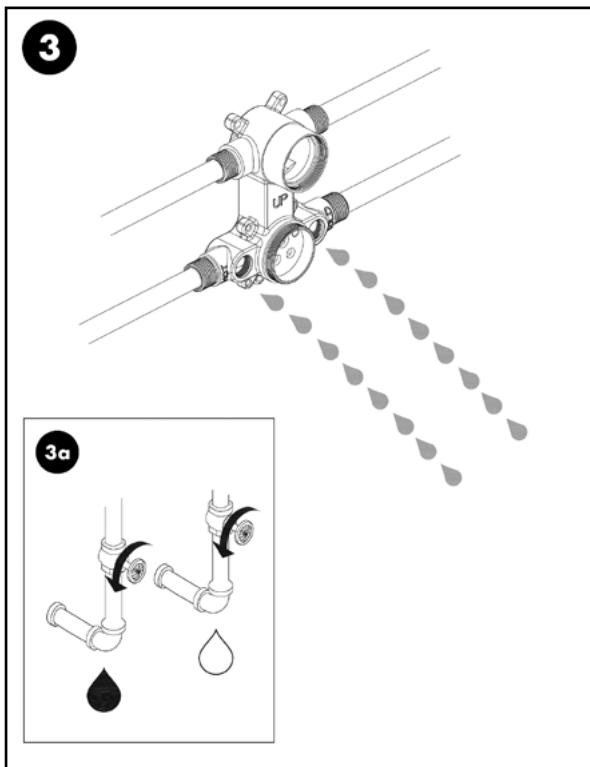
EL DORADO SHOWER SYSTEM INSTALLATION



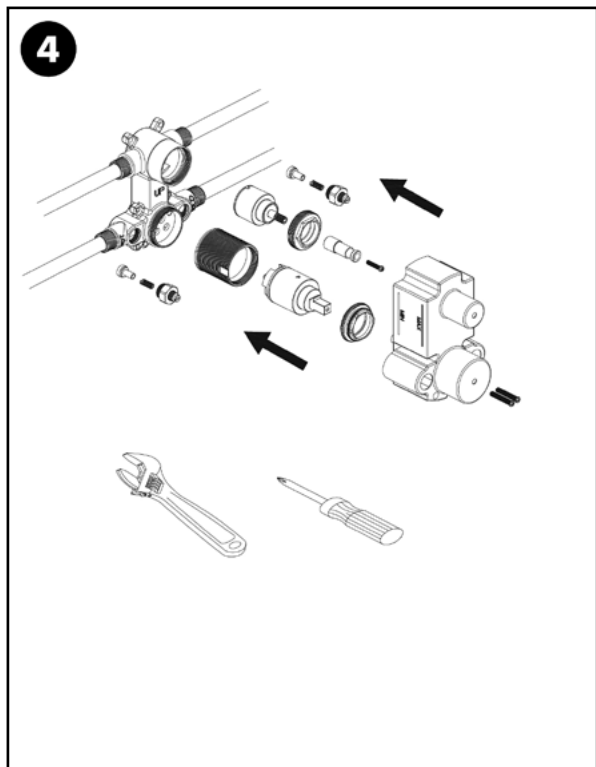
Slide the sleeves onto the pipes and then insert pipes into the wall valve. Tighten the ring around the pipes with the wrench.



Solder the copper together.

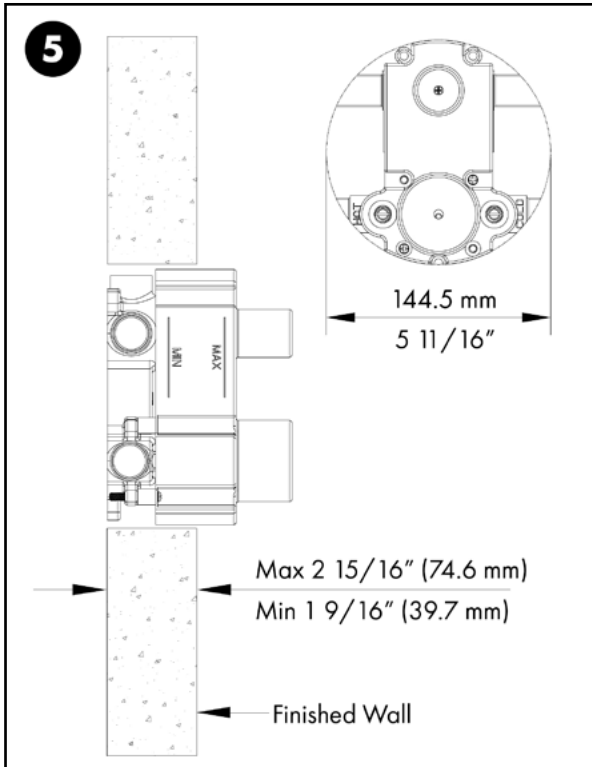


After soldering, purge the water supply system for 30 seconds.

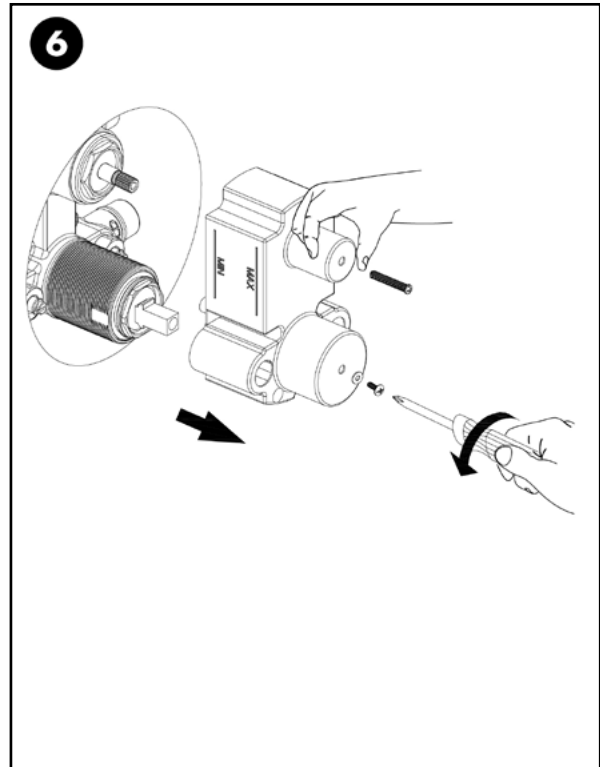


Reinstall the valve components into their original positions.

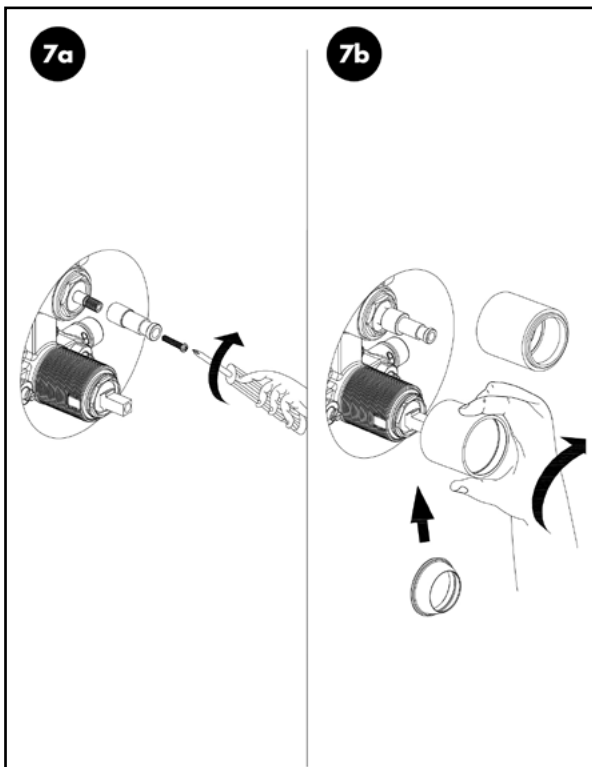
EL DORADO SHOWER SYSTEM INSTALLATION



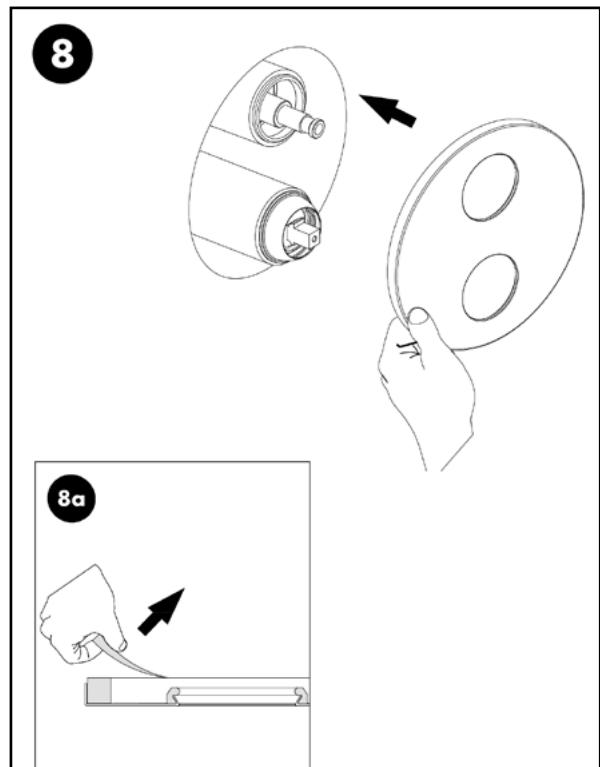
Screw the wall valve body into the system with a screwdriver. Do not overtighten.



Place the components in the appropriate location.



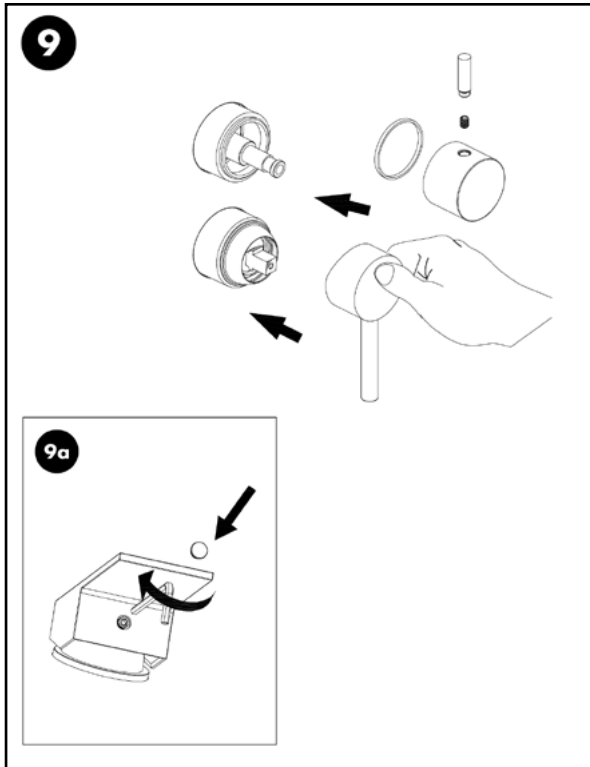
Screw the sleeve and washer into the wall valve body.



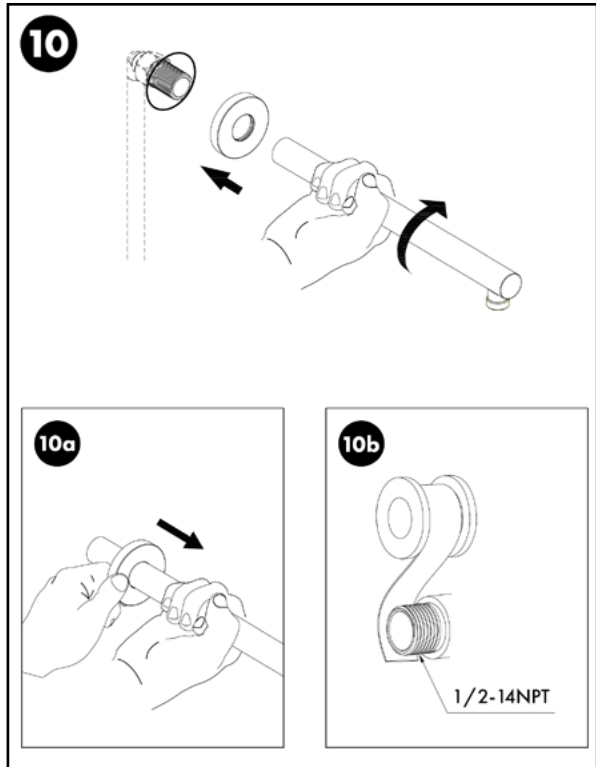
Attach the face plate and remove the plastic.

EL DORADO SHOWER SYSTEM

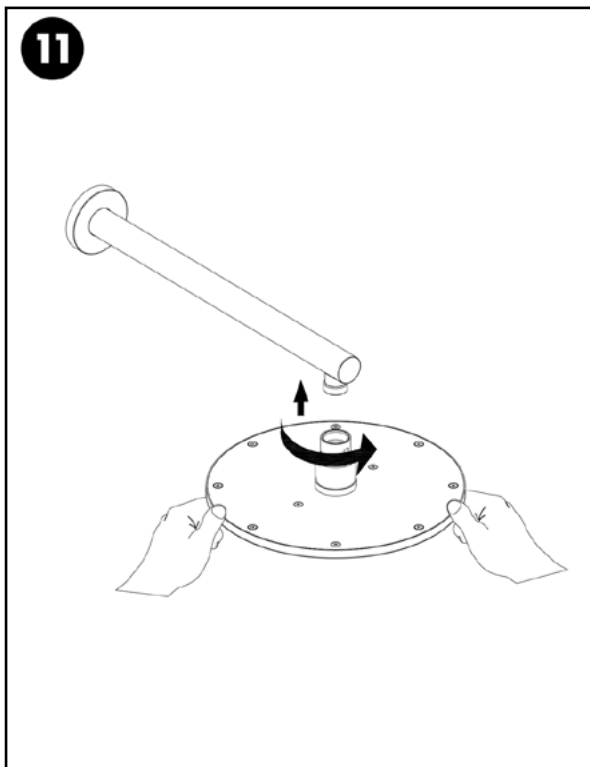
INSTALLATION



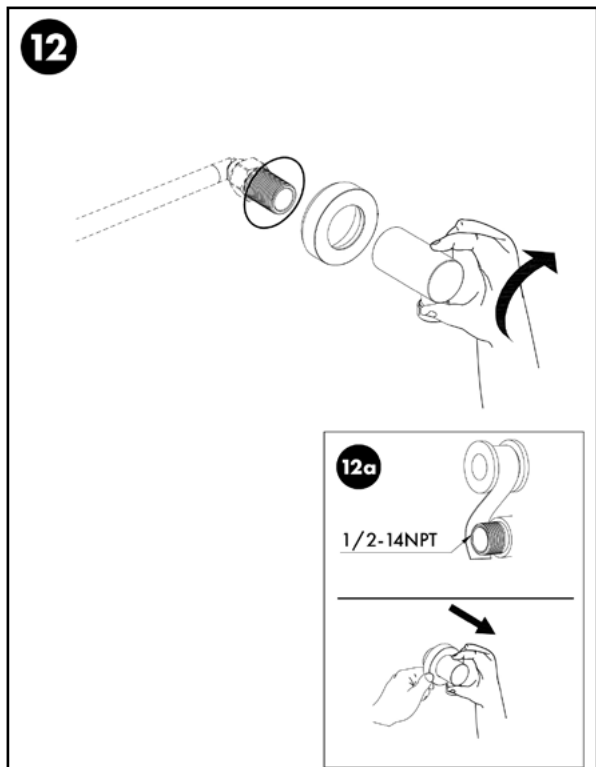
Attach the water control handle.



Connect the flange cover to the spout in the wall. Secure with plumber's tape to prevent leaks.

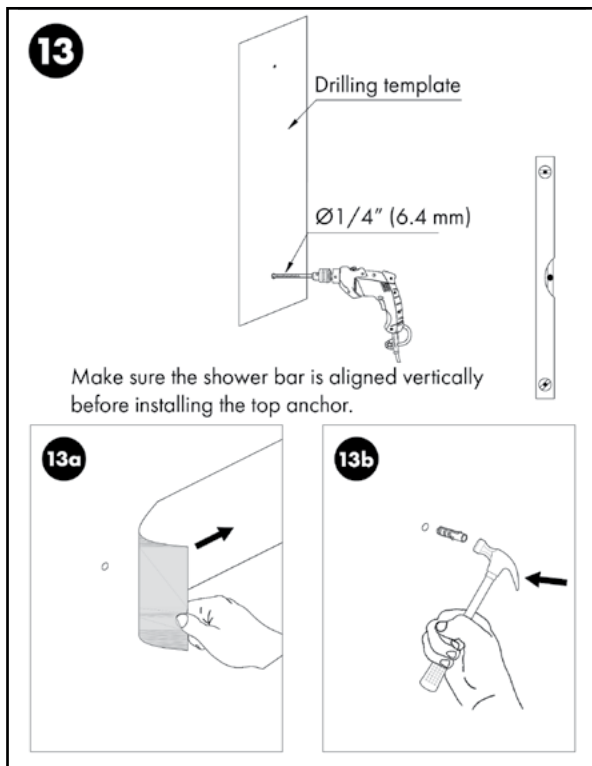


Twist the top spray shower into the shower arm.

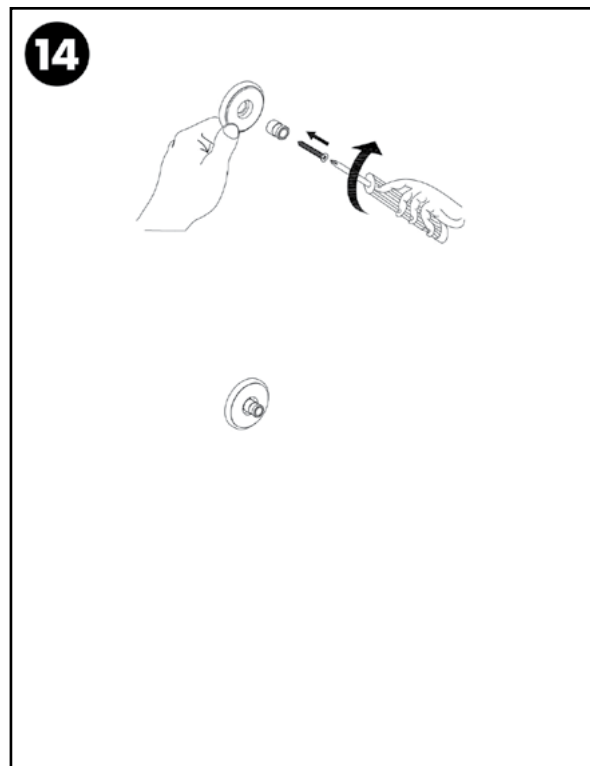


Connect the angle valve to the flange cover and screw together. Secure with plumber's tape to prevent leaks.

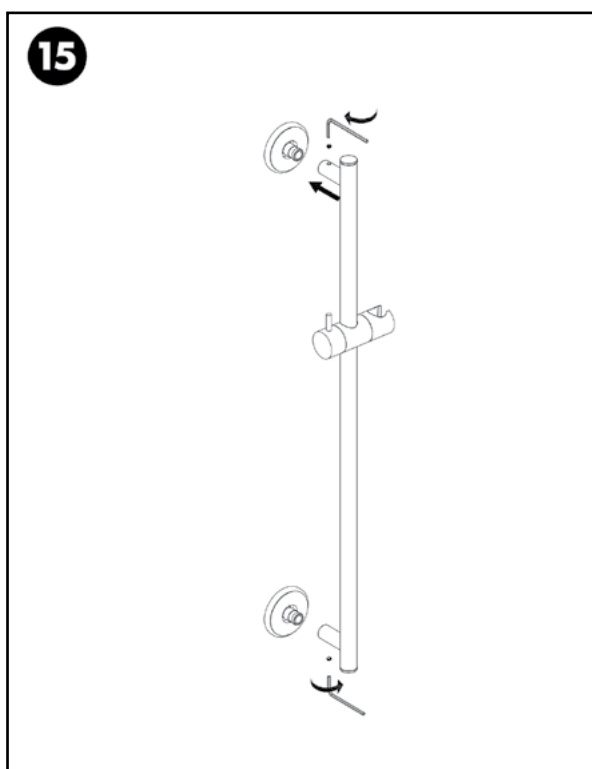
EL DORADO SHOWER SYSTEM INSTALLATION



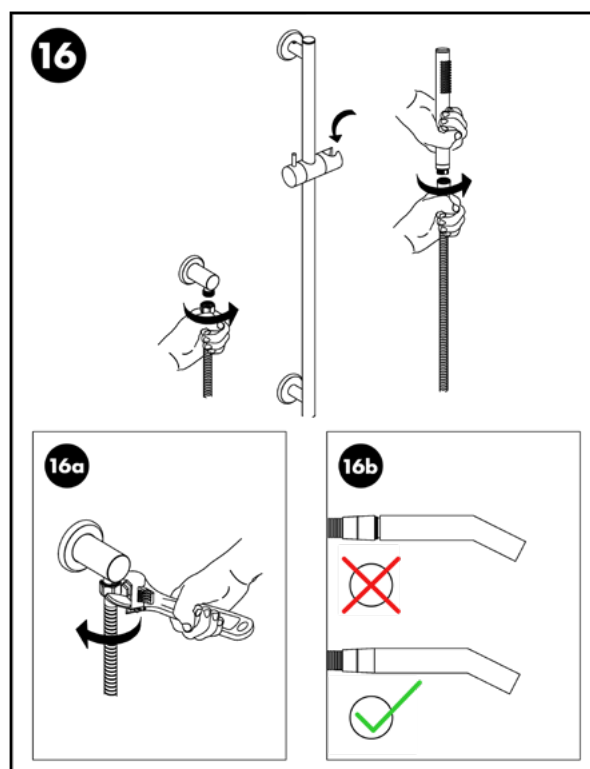
Use a pencil to mark the mounting holes on the wall. Use a hammer to put the screws in.



Connect the components of the shower rail.

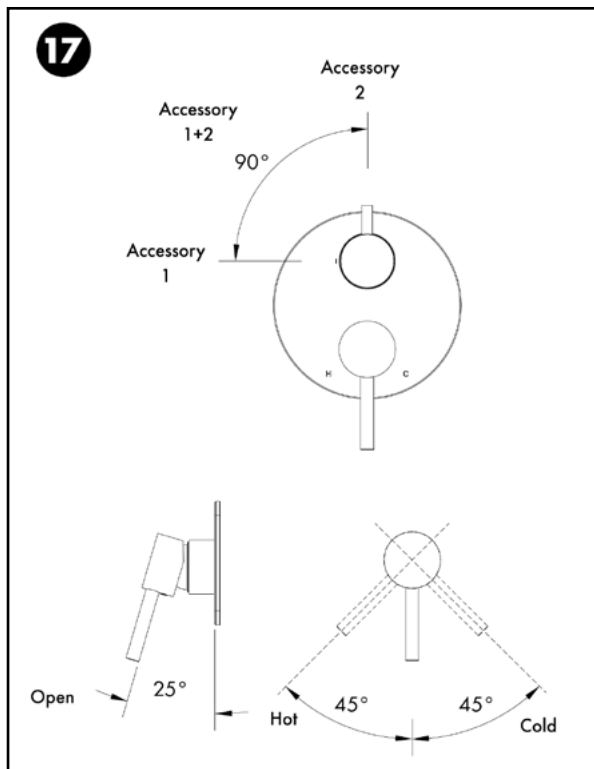


Screw the shower rail into the wall.



Connect the shower handle to the shower rail. Tighten with a wrench.

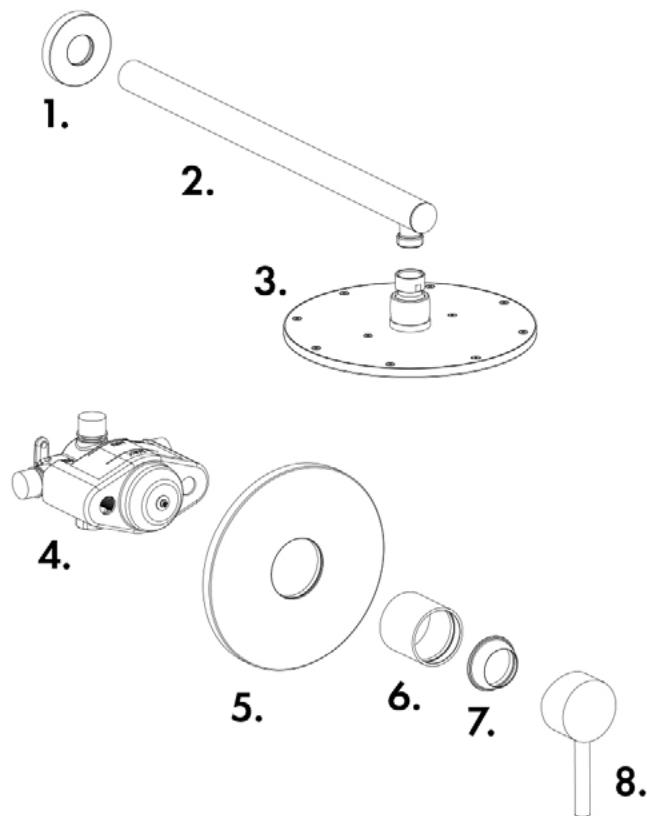
EL DORADO SHOWER SYSTEM INSTALLATION



Review the diagram to understand the hot, cold, and open settings.

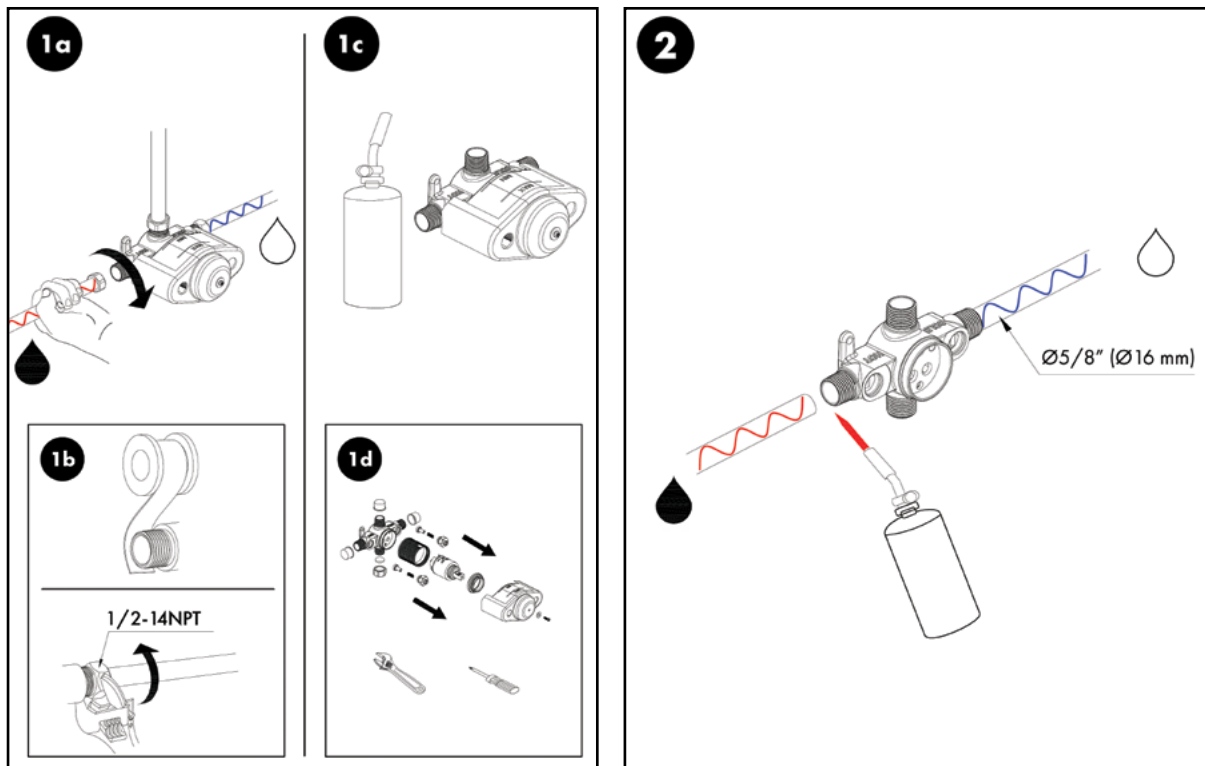
EL DORADO SHOWER FAUCET

BEFORE INSTALLATION



1. Flange cover
2. Shower arm
3. Top spray shower
4. Wall valve body
5. Faceplate
6. Sleeve
7. Cap
8. Switch handle

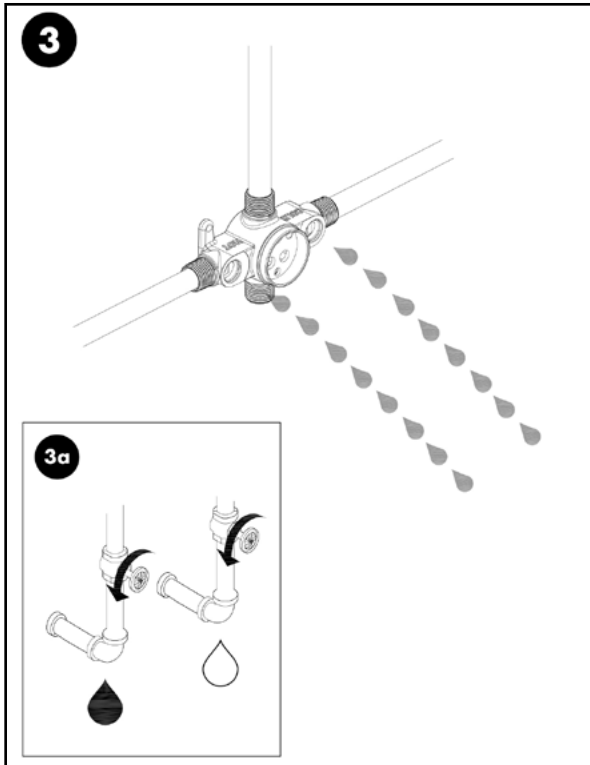
EL DORADO SHOWER FAUCET INSTALLATION



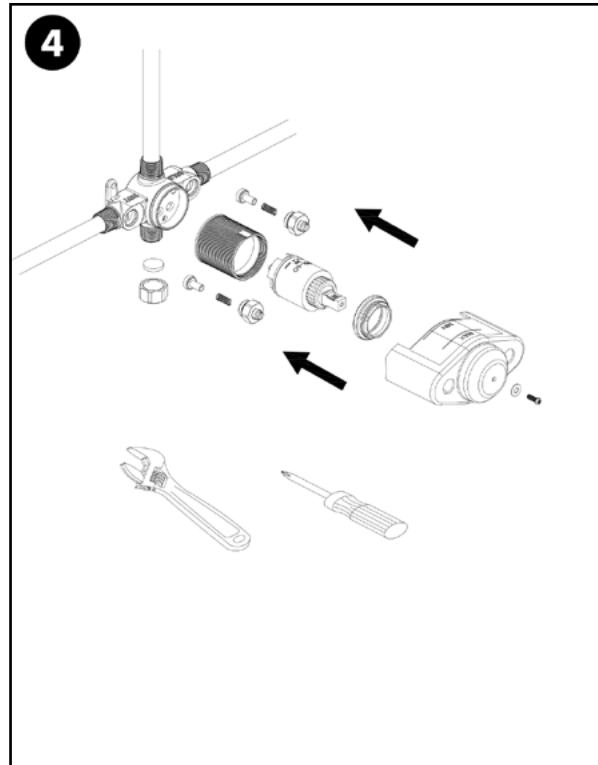
Slide the sleeves onto the pipes and then insert pipes into the wall valve. Tighten the ring around the pipes with the wrench. **NOTE:** If soldering is involved, you must remove the internal valve components prior to the soldering. Please note the original position of the cartridge.

Solder the copper together.

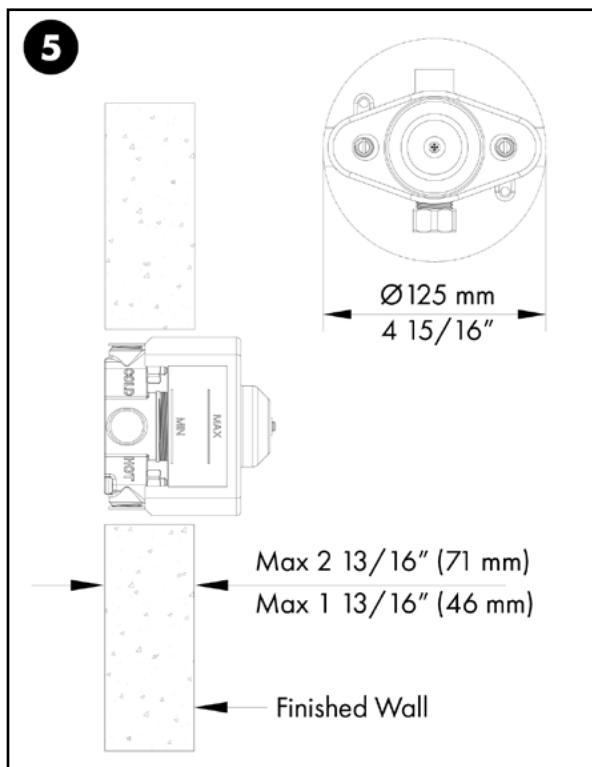
EL DORADO SHOWER FAUCET INSTALLATION



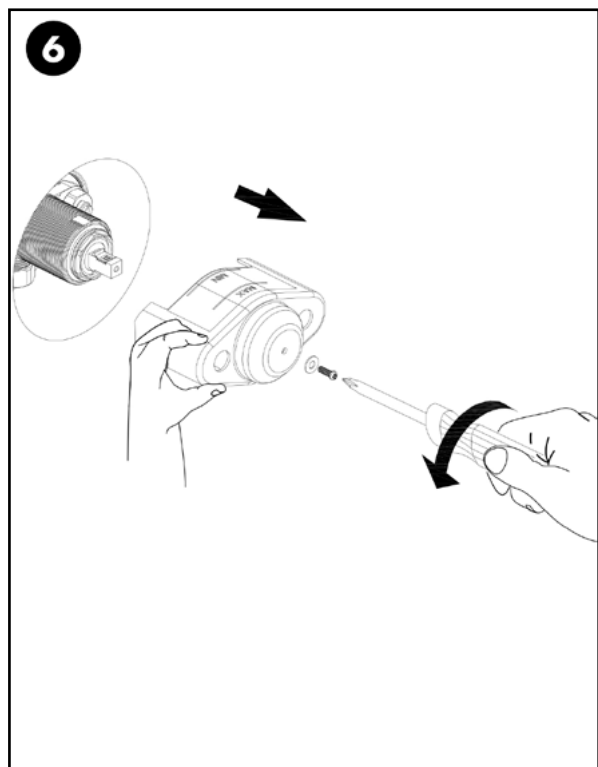
After soldering, purge the water supply system for 30 seconds.



Reinstall the valve components into their original positions.

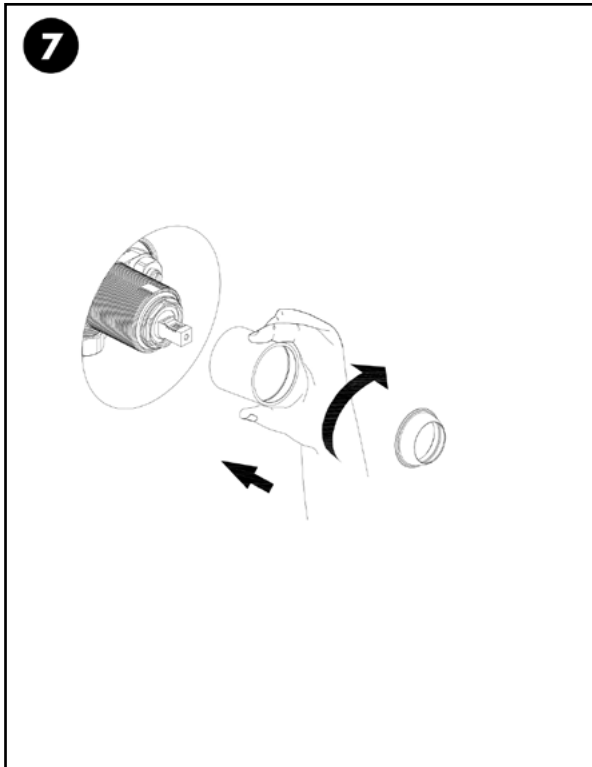


Use this diagram to understand the placement of the wall valve.

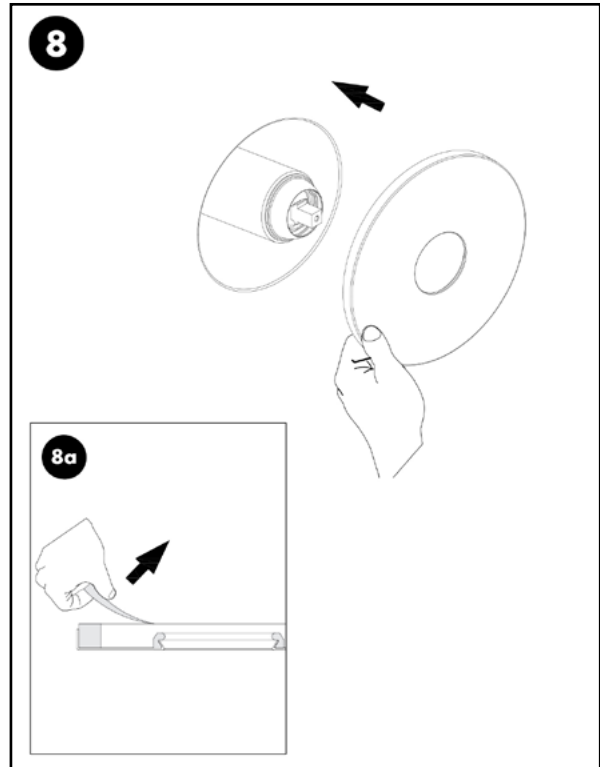


Place the components in the appropriate location.

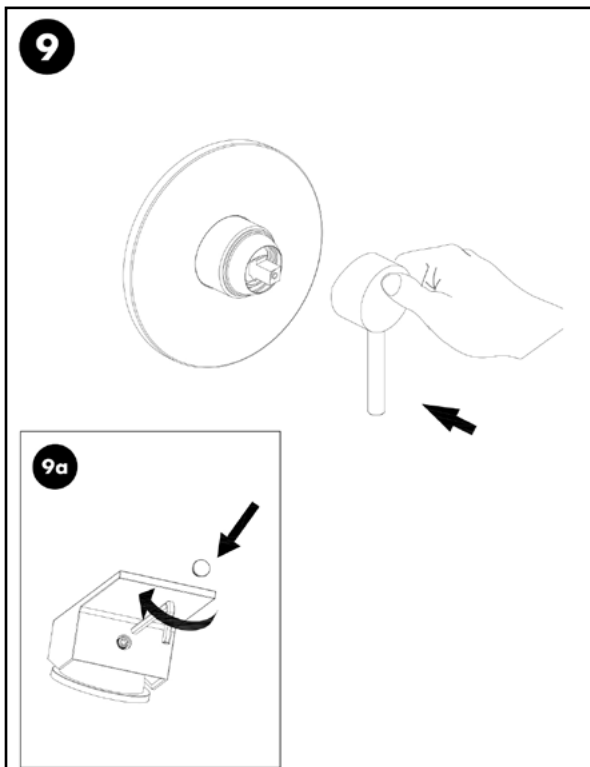
EL DORADO SHOWER FAUCET INSTALLATION



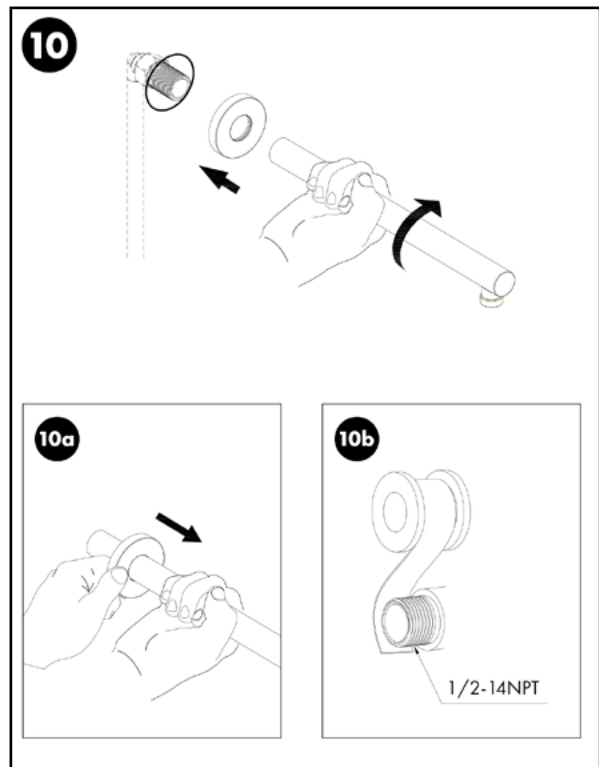
7 Screw the sleeve and washer into the wall valve body.



8 Attach the face plate and remove the plastic.

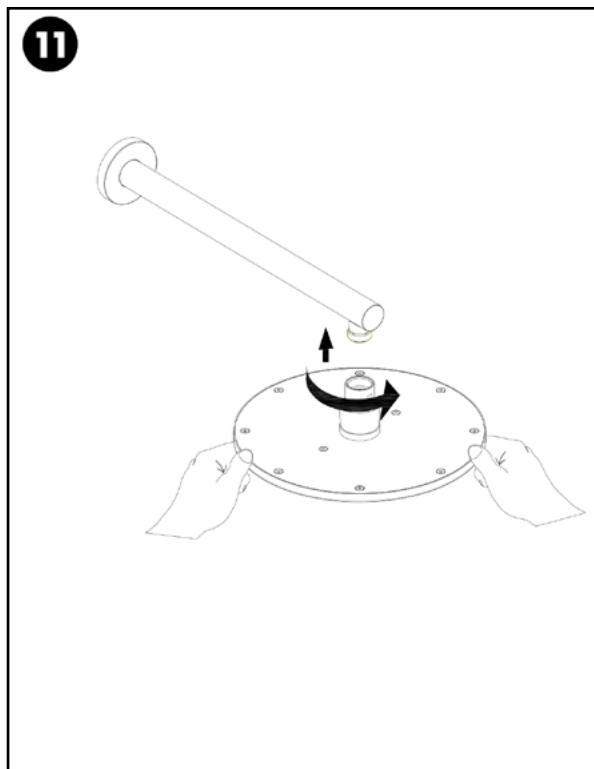


9 Attach the water control handle.

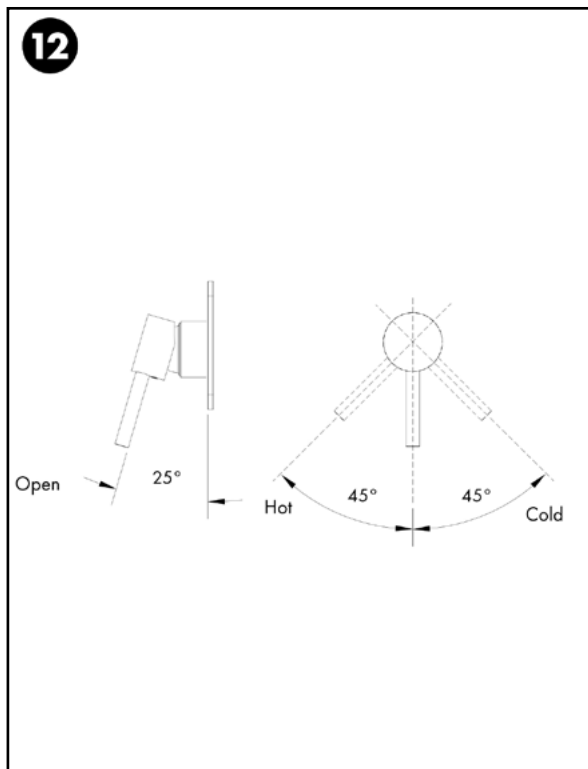


10 Connect the flange cover to the spout in the wall. Secure with plumber's tape to prevent leaks.

EL DORADO SHOWER FAUCET INSTALLATION



Twist the top spray shower into the shower arm.



Review the diagram to understand the hot, cold, and open settings.

CARE AND MAINTENANCE

CARE AND MAINTENANCE

To keep the product clean and shining, follow the steps below:

1. Rinse clean with water and dry with a soft cloth.
2. Do not clean with soaps, acid, polish, abrasives, or harsh cleaners.
3. Do not use cloth with a coarse surface.
4. Unscrew the aerator and clean when necessary.

TROUBLESHOOTING

PROBLEM	POSSIBLE CAUSE	SOLUTIONS
There is leakage under the handle.	The locking nut has come loose.	Unscrew the lever on the handle by hand. Loosen set screw with an Allen/hex key. Remove the handle and unscrew trim cap by hand. Tighten locking nut with an adjustable wrench.
Water will not shut off completely.	Cartridge may be defective.	Unscrew the level on the handle by hand. Loosen set screw with an Allen/hex key. Remove the handle and unscrew trim cap by hand. Unscrew the locking nut with an adjustable wrench. Remove ceramic disc cartridge. Check for cracks.
There is a leak between the spray head and the hose.	The spray head may be loose or the washer is not seated correctly in the hose connection.	Tighten the spray head by hand until snug. Make sure the washer is seated correctly.

WARRANTY

COVERAGE

ZLINE Kitchen and Bath faucets have a limited lifetime warranty from the original purchase date for the original purchaser of the product.

TERMS

This warranty applies only to the original purchaser of a faucet installed for normal residential use. This is defined as a single-family, residential dwelling in a non-commercial setting. Commercial settings include but are not limited to: schools, churches, hotels, restaurants, vacation rentals such as Airbnb, day care centers, private clubs, fire stations, common areas in multi-family dwellings, nursing homes, food service locations, and institutional food service locations such as hospitals or correction facilities. This warranty is non-transferable and will not be extended based on the date of installation. The warranty applies only to products installed in the contiguous United States and the District of Columbia.

Warranty shall not apply and ZLINE Kitchen and Bath is not responsible for damage resulting from negligence, improper maintenance, misuse, abuse, alteration of or tampering with the appliance, accident, natural disaster, improper installation, or installation not in accordance with the instructions contained in the manual, or the local codes.

WHAT IS NOT COVERED

1. Installation or start-up, damages, or problems caused by improper installation or use.
2. Installation in any commercial or non-residential application.
3. Removal or re-installation cost.
4. Aesthetic damage, scratches, or natural wear caused by normal use.
5. Second-hand, open box products or products purchased from an unauthorized retailer.

WARRANTY



SERVICE

For warranty service, please contact our Customer Service team at 1-614-777-5004 or visit www.zlinekitchen.com/contact to utilize our online Customer Experience Portal.



Scan the QR code to view the most up-to-date version of our user manual and installation guide.



Need to purchase a part or accessory for your ZLINE product?
Visit www.zlineparts.com, ZLINE's official parts distribution partner.

4.0.0

www.zlinekitchen.com

1-614-777-5004

contact@zlinekitchen.com

ZLINE
ATTAINABLE LUXURY®