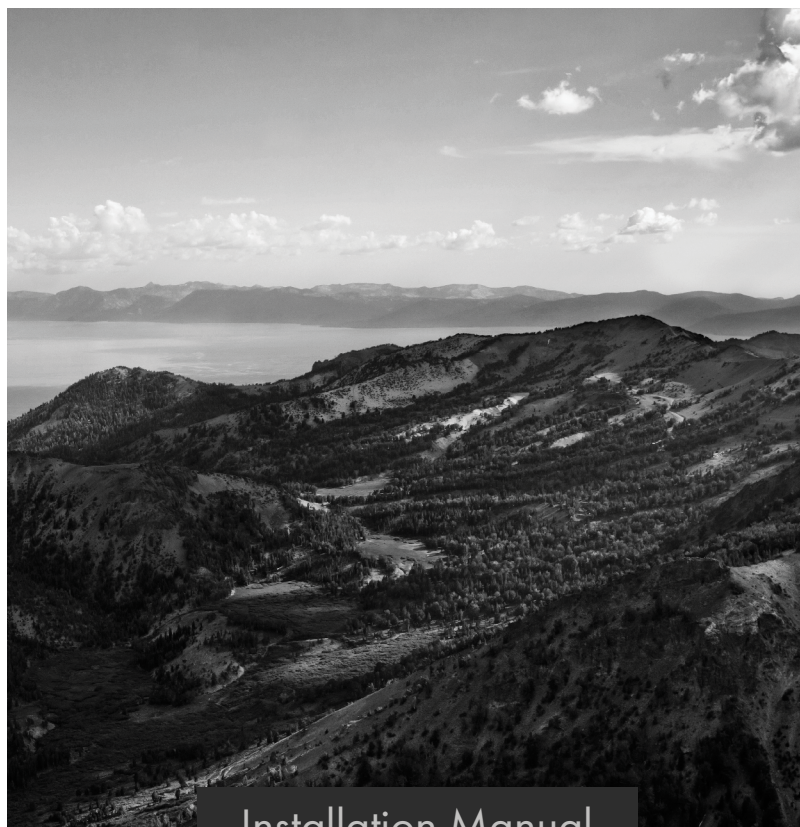


# ZLINE

ATTAINABLE LUXURY<sup>®</sup>



Installation Manual

## BATH TUB FILLER

[www.zlinekitchen.com](http://www.zlinekitchen.com)




ZLINE Kitchen and Bath provides Attainable Luxury, where the kitchen and bath of your dreams is never out of reach. Through our unique designs and unparalleled quality, we're dedicated to providing you an elevated experience in the heart of your home. With an endless selection of features and finishes, our inspiration is your reality.

**ZLINE**  
ATTAINABLE LUXURY®



ZLINE is fueled by a passion for innovation; A relentless pursuit of bringing the highest end luxury designs and professional features into everyone's homes. Because we continually strive to improve our products, we may change specifications and designs without prior notice.

 **WARNING:** This product can expose you to chemicals including nickel, which is known to the State of California to cause cancer. For more information, go to [www.P65Warnings.ca.gov](http://www.P65Warnings.ca.gov).

# TABLE OF CONTENTS

SAFETY INSTRUCTIONS	1
BEFORE INSTALLATION	2
INSTALLATION	4
CARE AND MAINTENANCE	16
TROUBLESHOOTING	17
WARRANTY	18

# SAFETY INSTRUCTIONS

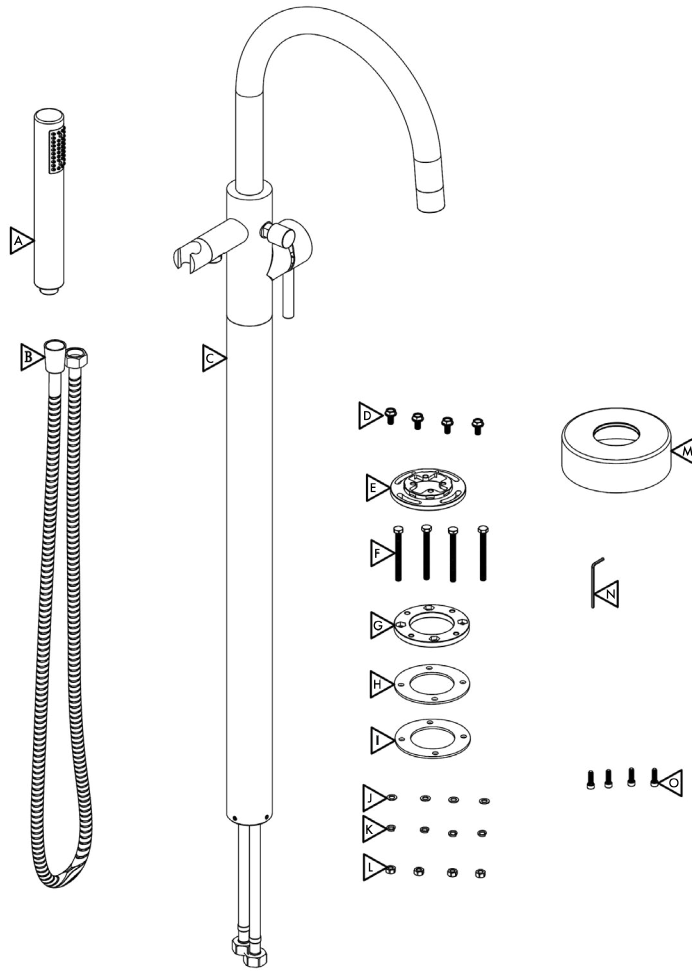
## PRIOR TO INSTALLATION

- We highly recommend using a plumber or certified professional for installation of this product.
- To keep the faucet from clogging, flush the water pipe before installation.
- Wrap all threaded connections with plumber's tape. Always wrap in a clockwise direction.
- Do not disassemble the main faucet body, as it has been manufactured and commissioned correctly and precisely before delivery to the factory.
- Please take note of different standards and regulations that are dictated by your local plumbing codes. This product is certified in accordance with North American building codes.
- Ensure the piping system is well secured to prevent rattling, vibration and banging noises caused by a water hammer (a pressure surge or wave caused when fluids change direction suddenly). We recommend plumbers use water hammer arrestors.
- Lastly, remove the unit's water cartridge in order to purge the water supply system for at least 30 seconds. Do this by unscrewing the lever on the handle by hand. Loosen set screw with a hex wrench. Remove the handle and unscrew trim cap by hand. Unscrew the locking nut with an adjustable wrench to remove the cartridge, then carefully reinstall.

## INSTALLATION PREPARATION

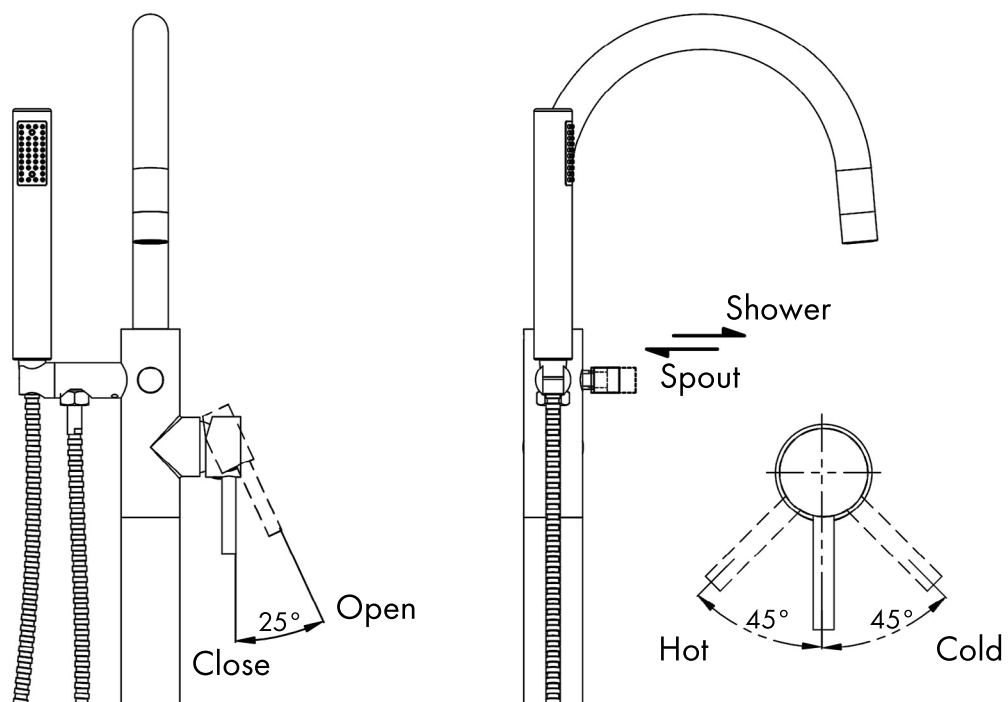
1. Shut off hot and cold water lines and let the water in the current faucet drain.
2. Cover your drain to avoid losing parts.
3. Loosen the hardware that keeps the current faucet in place. Remove faucet.

# BEFORE INSTALLATION



- A. Shower handle
- B. Shower hose
- C. Main tub filler body
- D. Short bolts (4)
- E. Brass mounting ring (1)
- F. Long bolts (4)
- G. 1/4" steel mounting plate (1)
- H. Rubber gasket (1)
- I. 1/16" steel mounting plate (1)
- J. Flat washers (4)
- K. Lock washers (4)
- L. Fastening nuts (4)
- M. Mounting cap
- N. Hex wrench
- O. Phillips-heading lock screws (4)

# BEFORE INSTALLATION

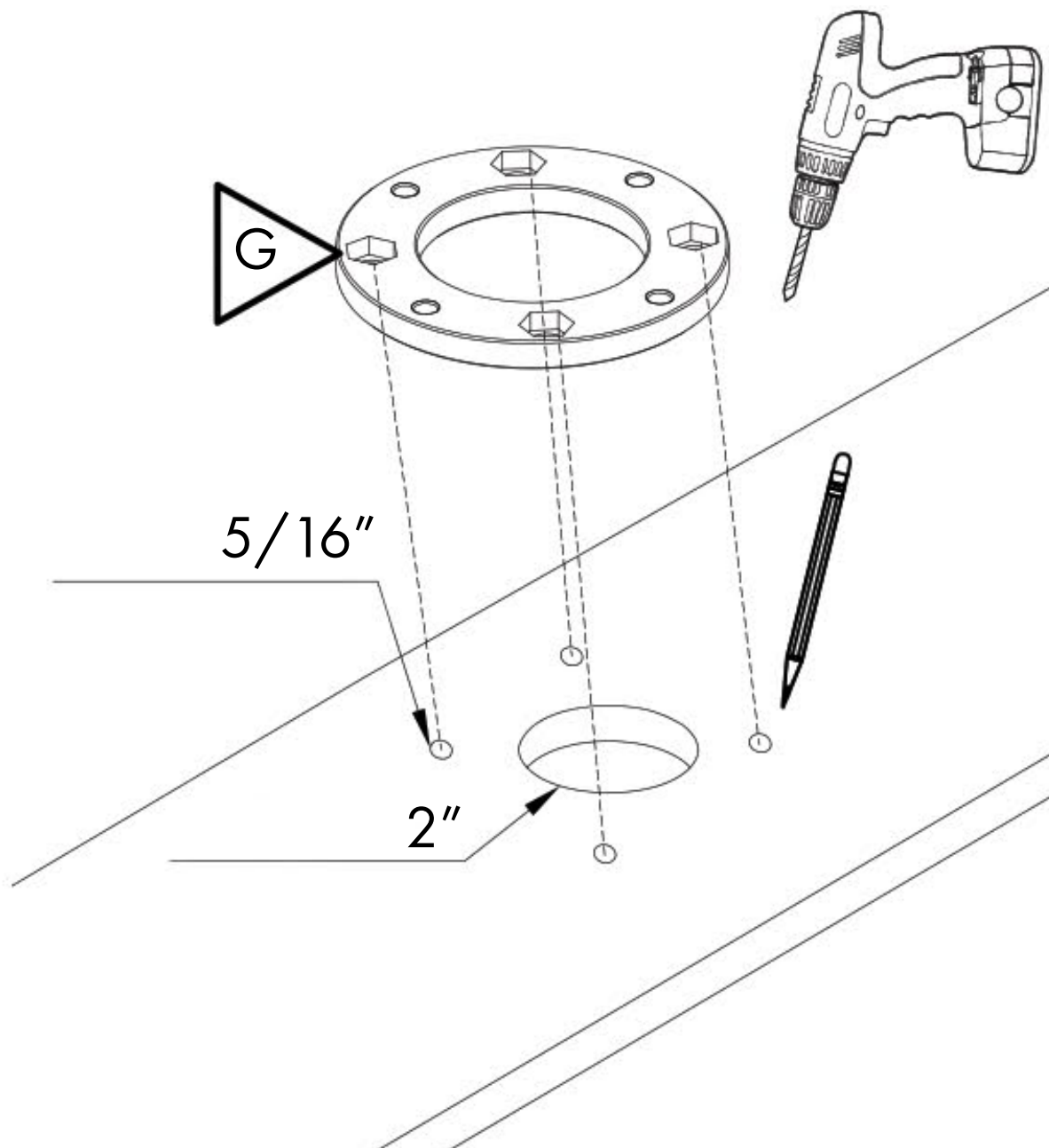


## TOOLS NEEDED:

- Adjustable wrench or 10 mm socket wrench
- Phillips-head screwdriver
- Pencil
- Drill

# INSTALLATION

## STEP 1

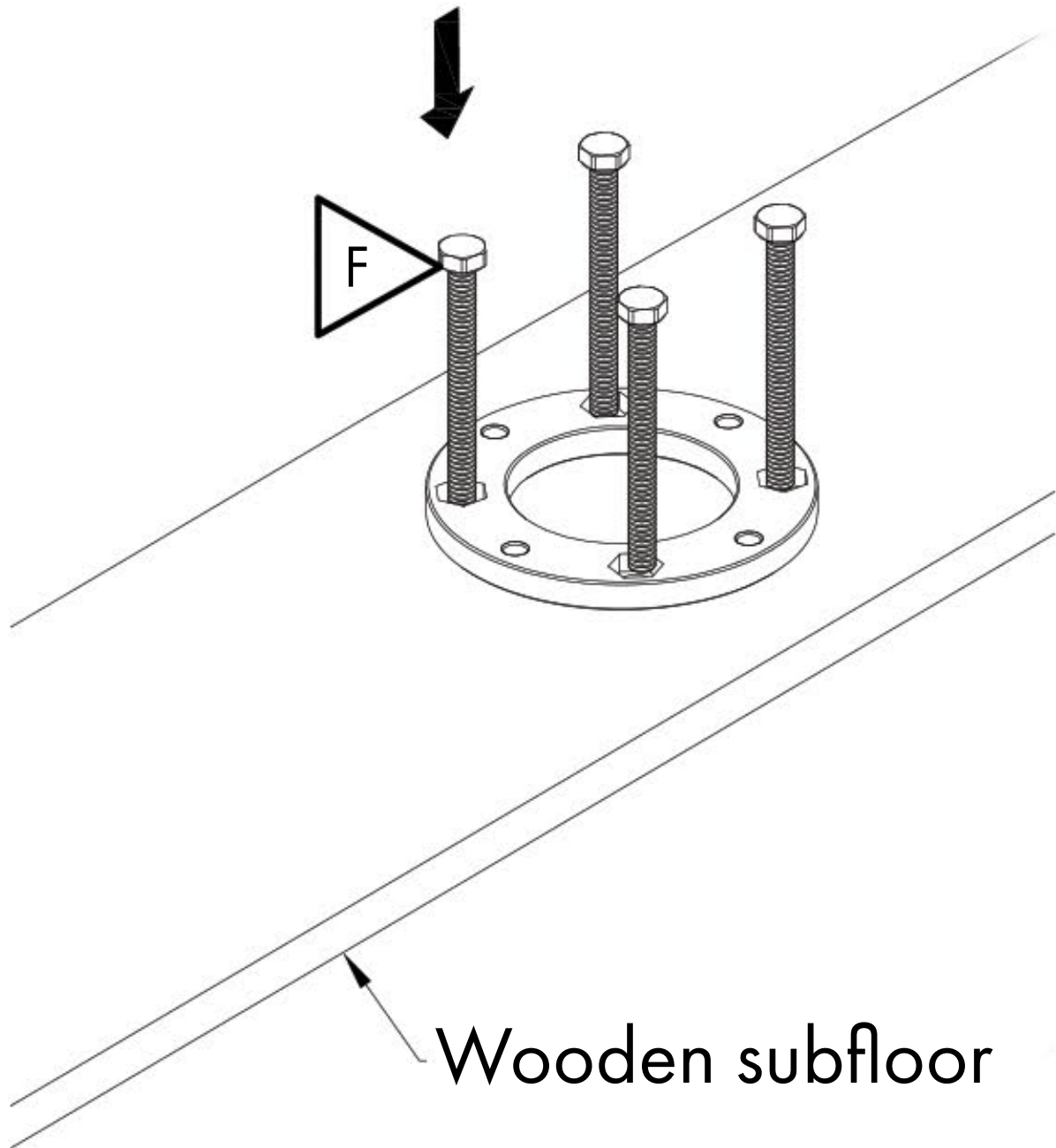


- Place the 1/4" steel mounting plate on the wooden subfloor where you plan to install the filler and use a pencil to mark 4 holes.
- Remove the plate and pre-drill those 4 holes using a 5/16" bit.
- Drill a 2" wide hole for hot and cold water lines to pass through.



# INSTALLATION

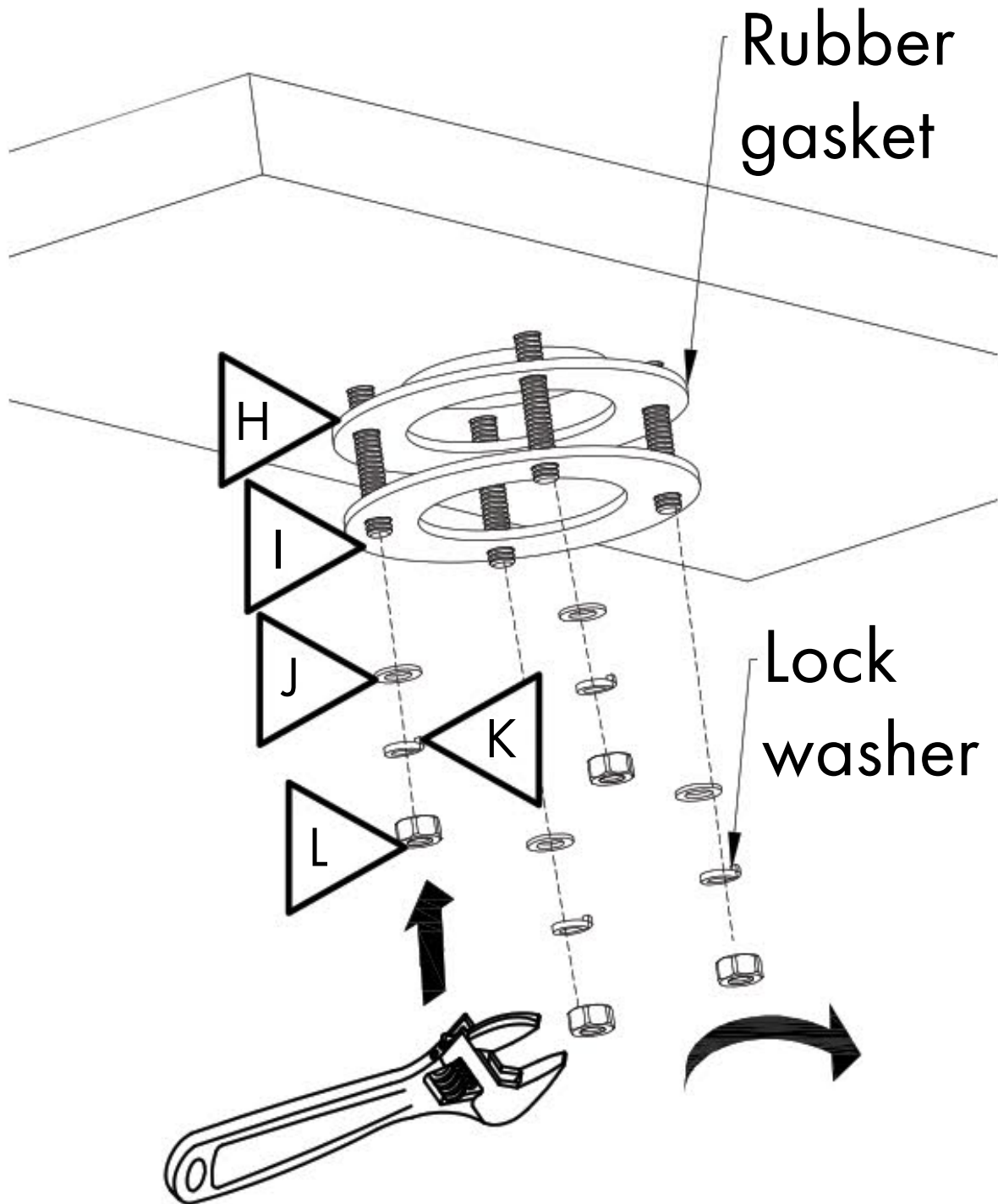
## STEP 2



- Place your 1/4" steel mounting plate over the pre-drilled holes with the recessed bolt fittings facing up.
- Insert long bolts through the mounting plate and through the wooden subfloor where the tub filler will be mounted.

# INSTALLATION

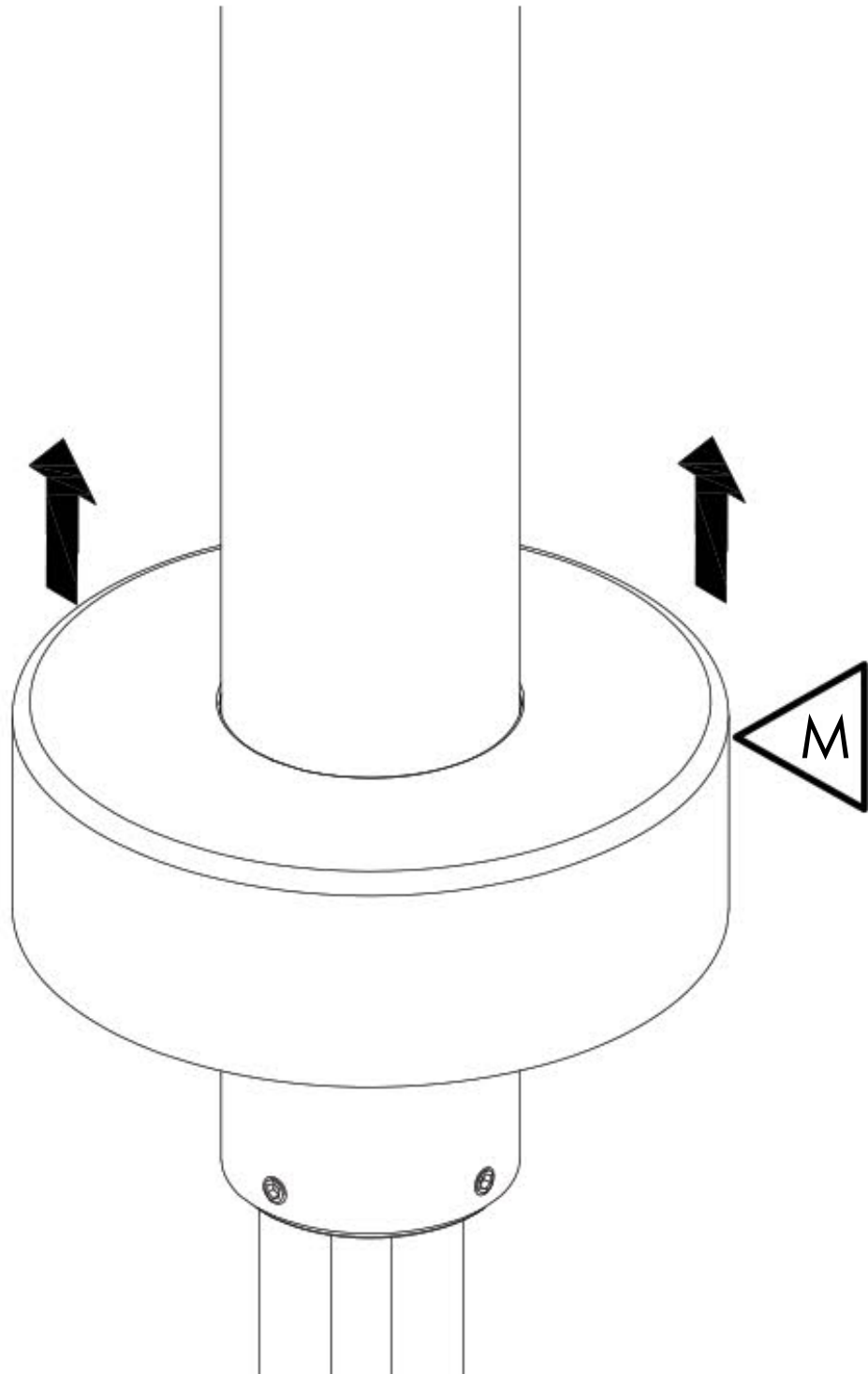
## STEP 3



- Place your rubber gasket through the same long bolts on the underside of the subfloor.
- Next, slide in the 1/16" steel mounting plate.
- Place flat washers first, followed by lock washers, then hand screw fastening nuts.
- Use adjustable/socket wrench to tighten nuts and ensure everything is secure.

# INSTALLATION

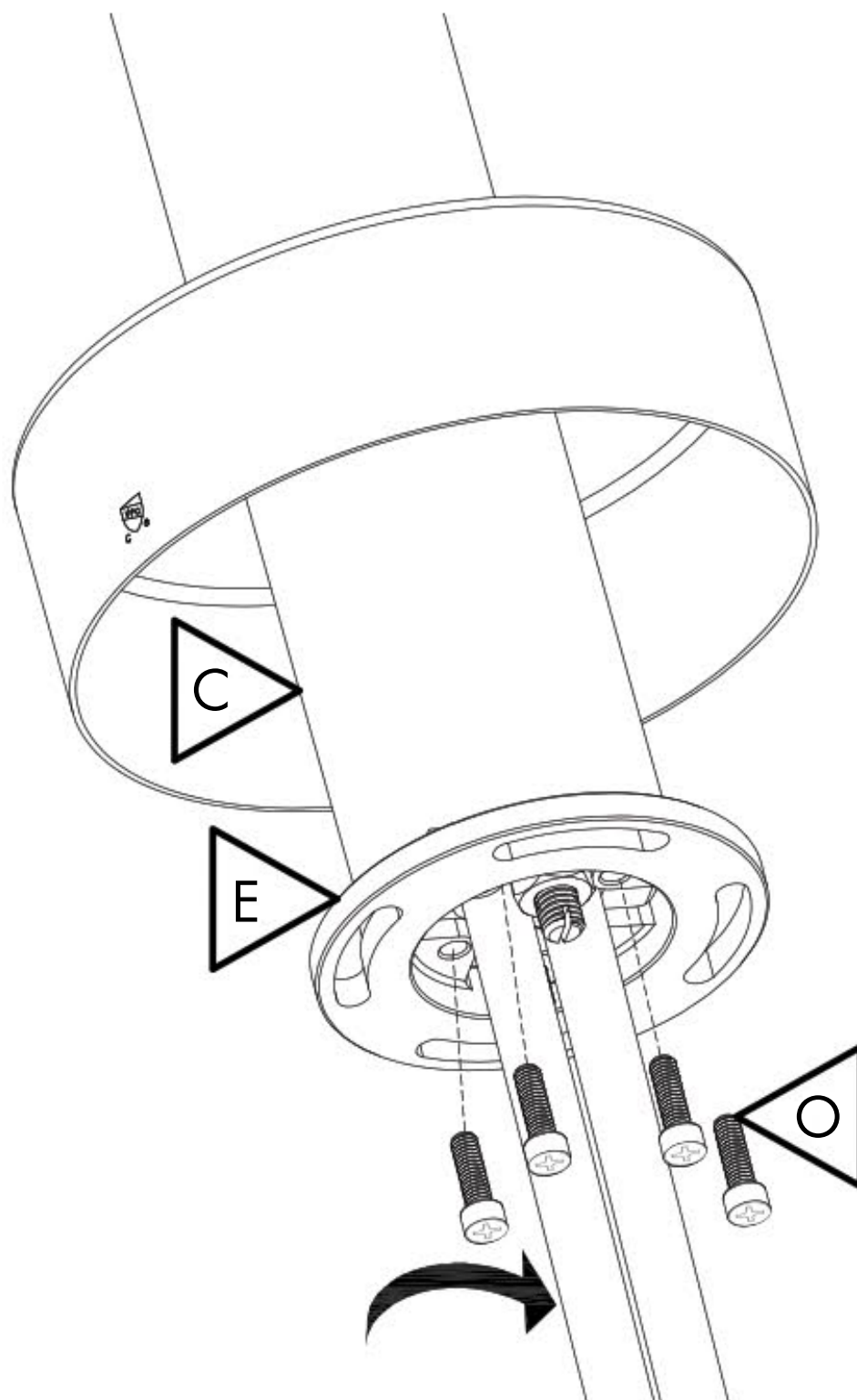
## STEP 4



Next, on the main tub filler body, slide the mounting cap over the hot and cold water lines at the bottom and up to the base. Use caution to avoid scratching or damaging your equipment in the process.

# INSTALLATION

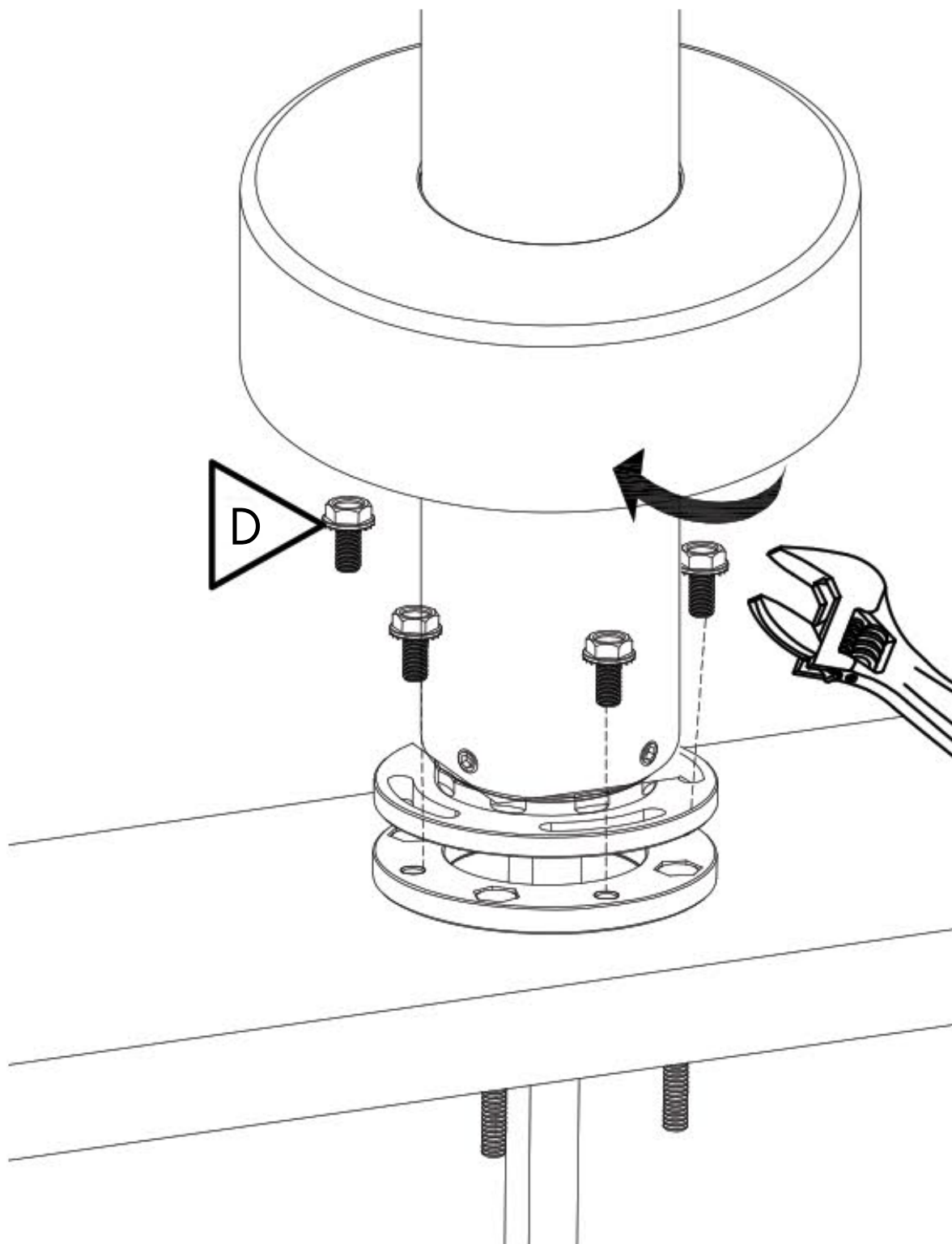
## STEP 5



- Slide the brass mounting ring through the hot and cold water lines on the main tub filler body at bottom (see arrow), ensuring extended portion with 4 screw holes points up.
- Screw in 4 Phillips-head screws to connect brass mounting ring to tub filler.
- Place unit through the pre-drilled 2" hole and match to previous brackets.

# INSTALLATION

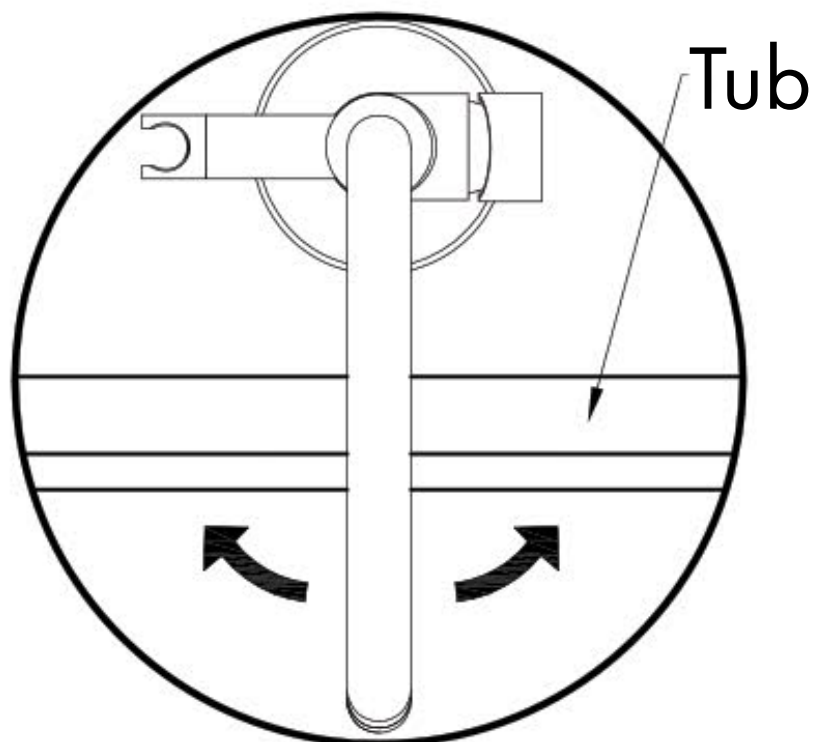
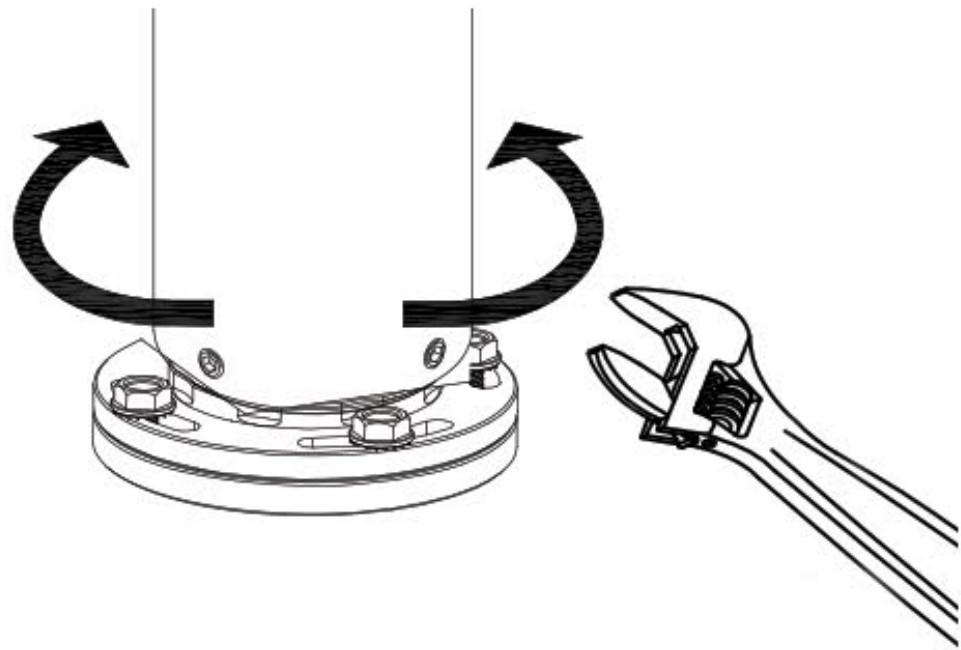
## STEP 6



- Install short bolts through wider holes on brass mounting ring.
- Using adjustable/socket wrench, tighten bolts to attach to steel mounting plate.

# INSTALLATION

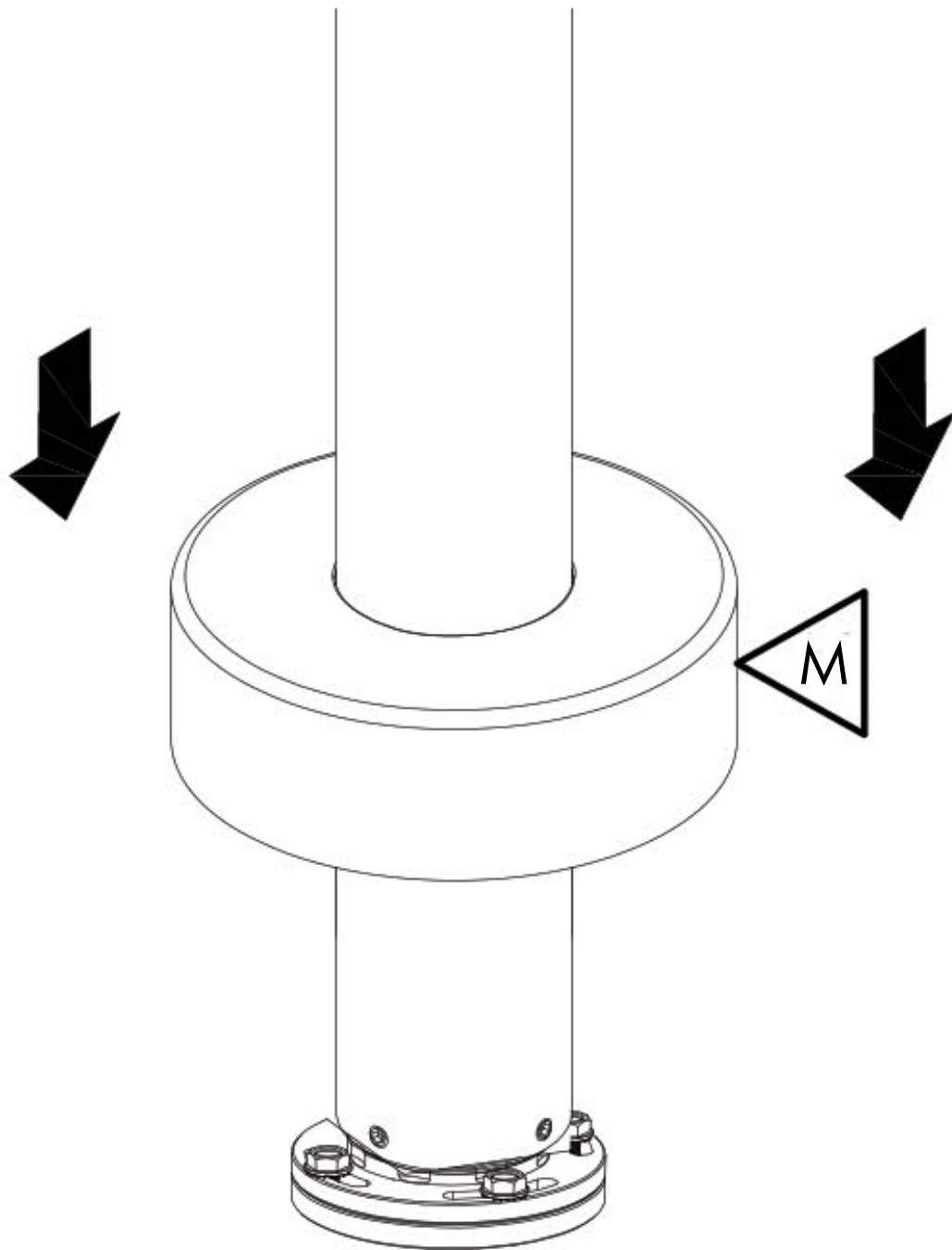
## STEP 7



- Adjust the spout direction clockwise or counter clockwise to the proper position, then tighten bolts into place with adjustable/socket wrench.

# INSTALLATION

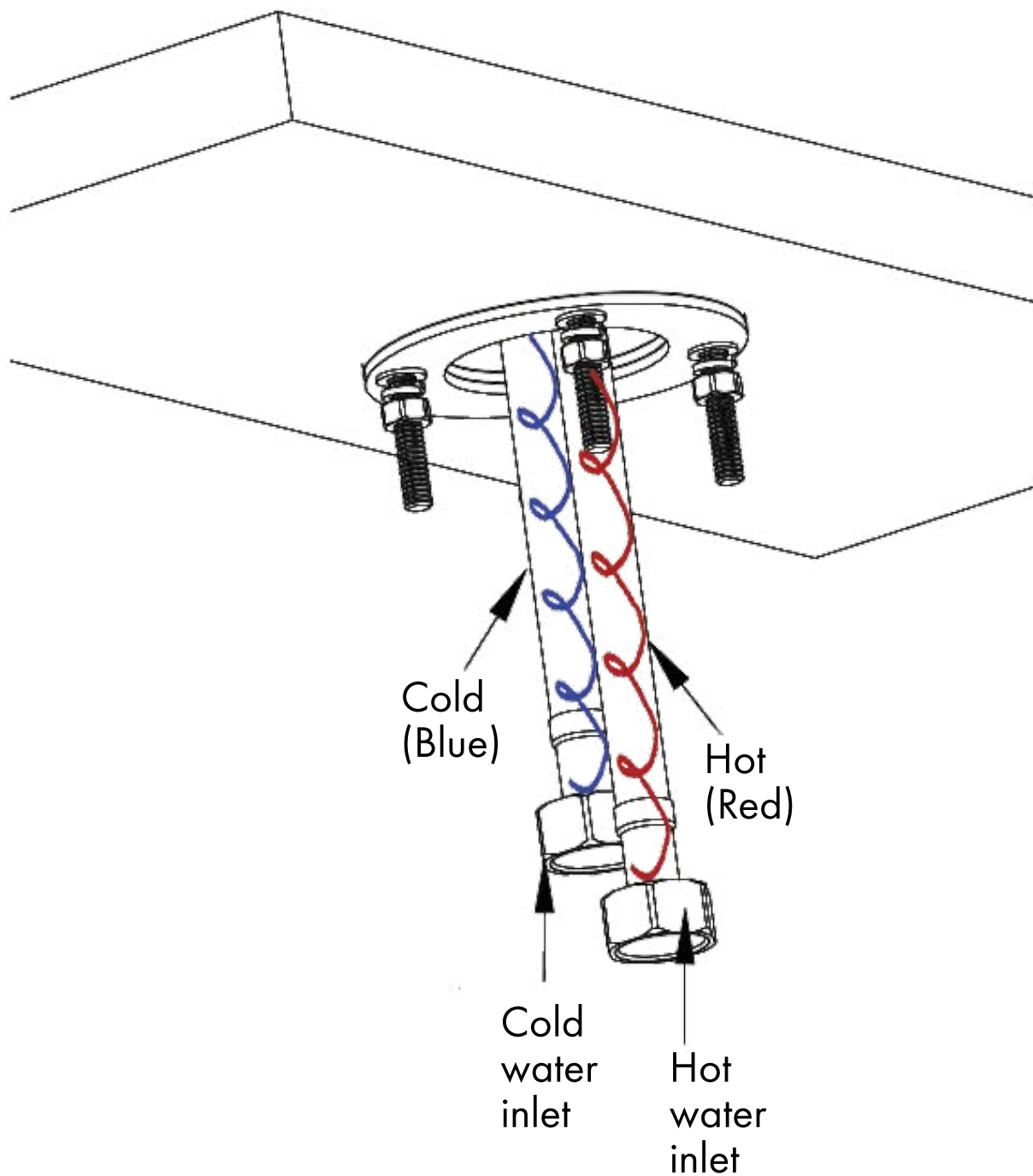
STEP 8



Lower mounting cap into position.

# INSTALLATION

## STEP 9

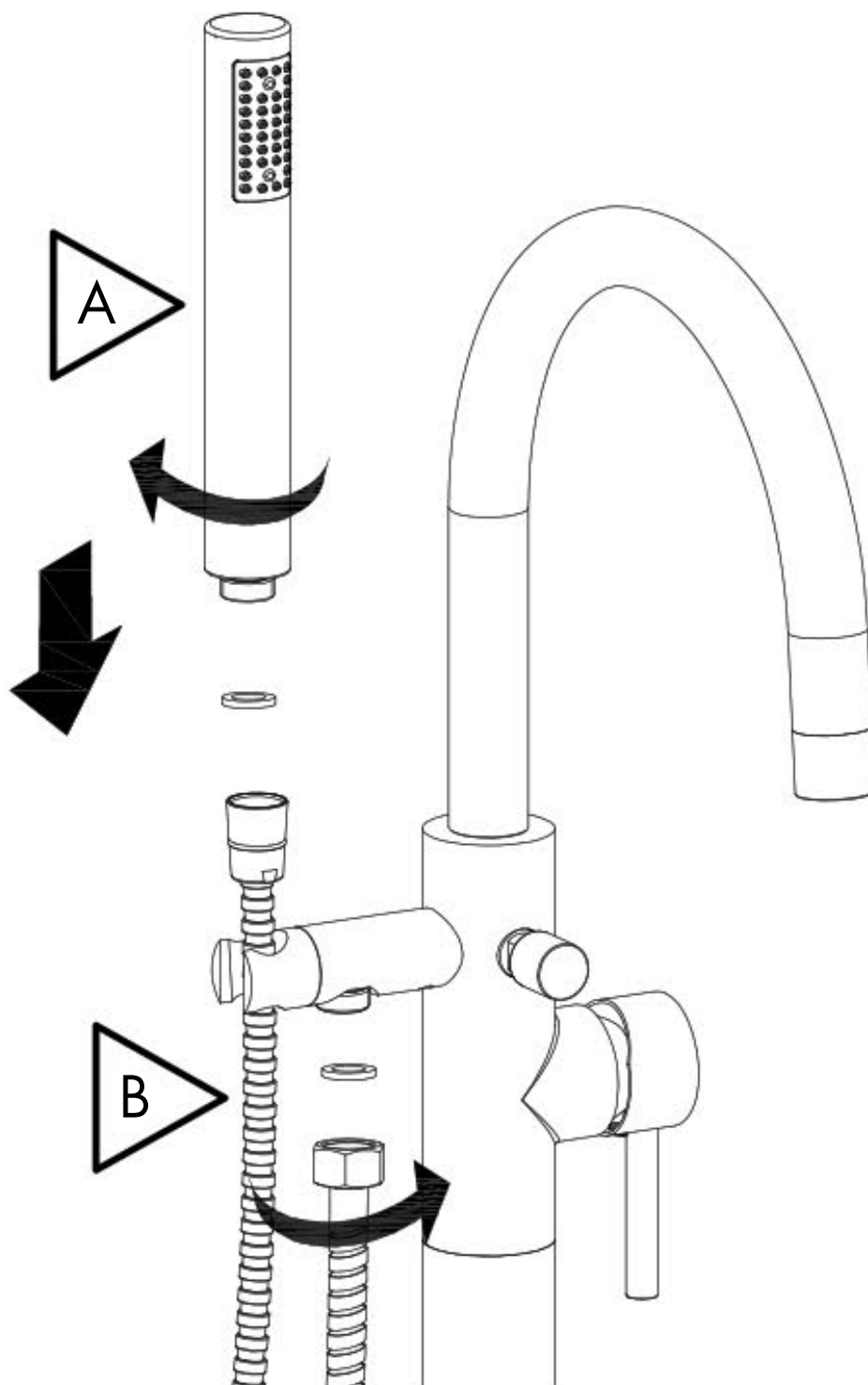


Carefully attach cold and hot water lines, ensuring connections are firm.



# INSTALLATION

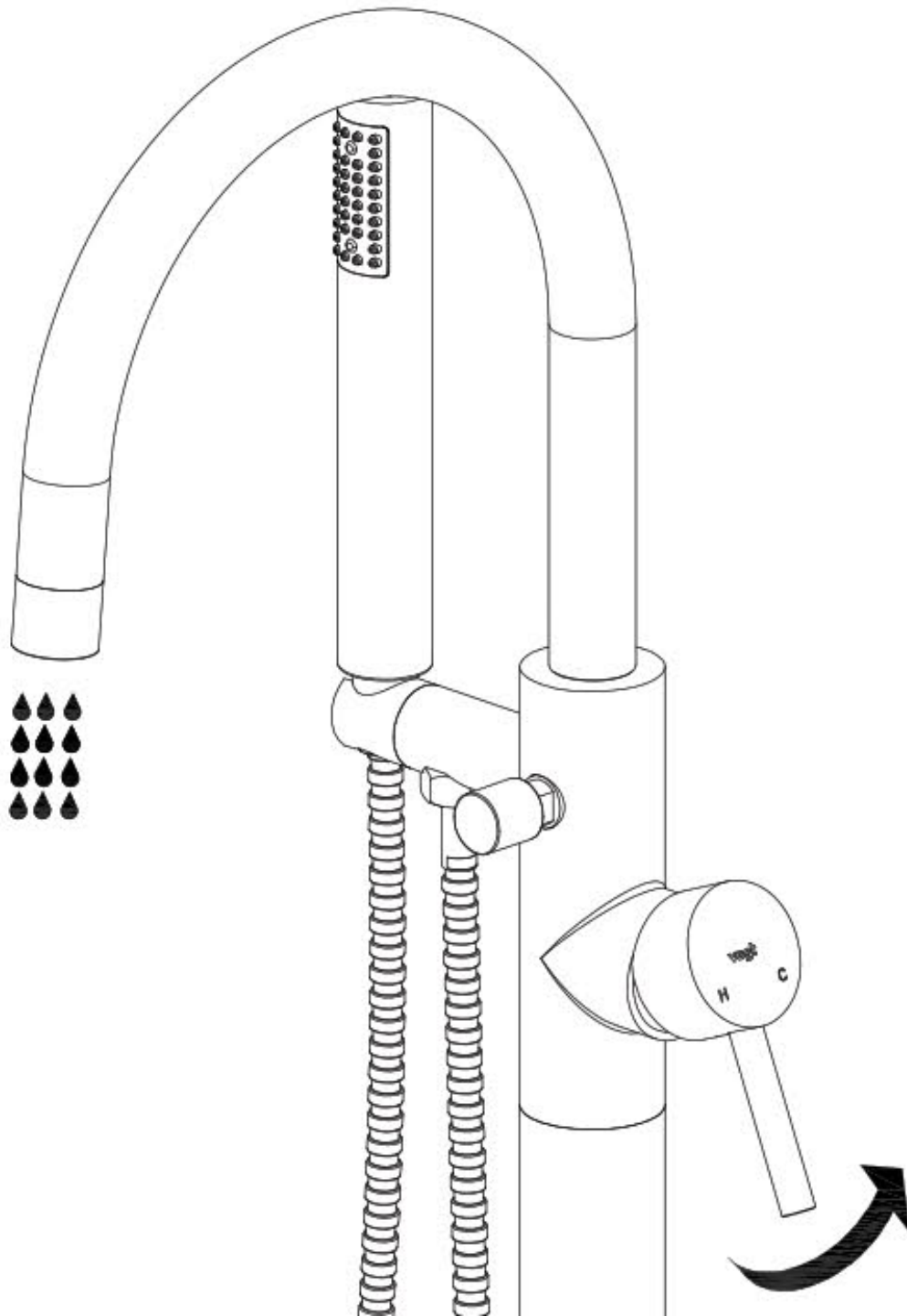
## STEP 10



Remove plastic coverings on shower handle and shower hose and use washers to connect to main tub filler body. Use care to not overtighten.

# INSTALLATION

## STEP 11

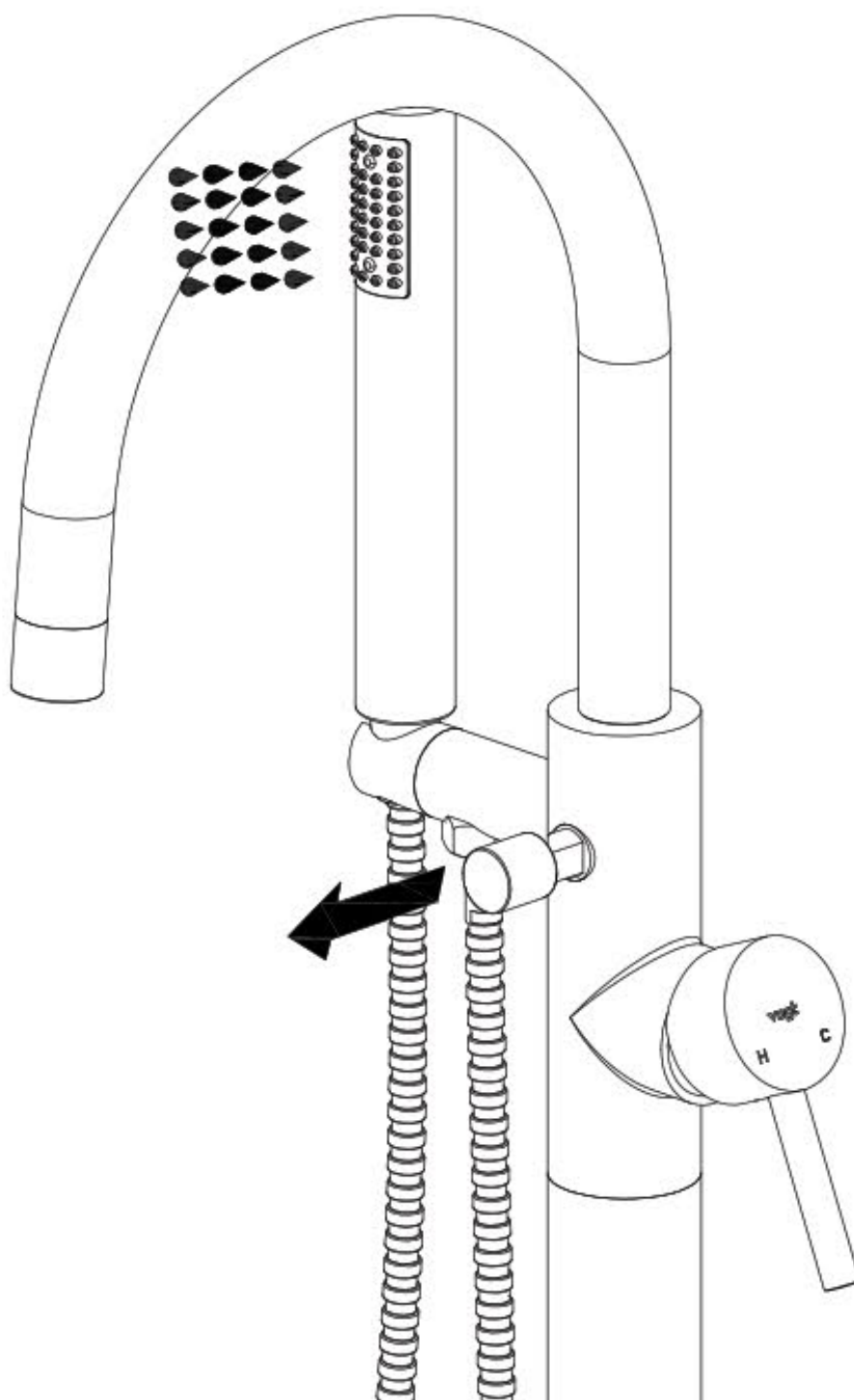


With installation now complete, turn hot and cold water lines back on to the unit, then pull water valve lever.

**Note:** It may take a few seconds for water to fill the pipes and begin flowing.

# INSTALLATION

## STEP 12



Lastly, to set the shower handle system, pull on the diverter valve knob with the water on (see arrow).

# CARE AND MAINTENANCE

To keep the product clean and shiny, follow the steps below:

1. Rinse clean with water and dry with a soft cloth.
2. Do not clean with soaps, acid, polish, abrasives, or harsh cleaners.
3. Do not use any cloth with a coarse surface.
4. Clean the aerator at the end of the faucet of any debris.

**Note:** Do not over tighten screws/nuts on your tub filler. Finger tighten, then use a wrench/screwdriver as needed to tighten until snug.

# TROUBLESHOOTING

PROBLEM	POSSIBLE CAUSE	SOLUTION
There is leakage under the handle.	The locking nut has come loose.	Unscrew the lever on the handle by hand. Loosen set screw with a hex wrench. Remove the handle and unscrew trim cap by hand. Tighten locking nut with an adjustable wrench.
Water will not shut off completely.	Water cartridge may be defective.	Unscrew the lever on the handle by hand. Loosen set screw with a hex wrench. Remove the handle and unscrew trim cap by hand. Unscrew the locking nut with an adjustable wrench. Remove ceramic disc cartridge. Check for cracks.
There is a leak between the spray head and the hose.	The spray head may be loose or the washer is not seated correctly in the hose connection.	Tighten the spray head by hand until snug. Make sure the washer is seated correctly. If you have troubleshooting issues, call our Customer Service line at 1-614-777-5004.



Need to purchase a part or accessory for your ZLINE product? Visit [ZLINEparts.com](http://ZLINEparts.com), ZLINE's official parts distribution partner.

# WARRANTY

## COVERAGE

ZLINE Kitchen and Bath bath tub fillers have a limited lifetime warranty from the original purchase date for the original purchaser of the product.

## TERMS

This warranty applies only to the original purchaser of a bath tub filler installed for normal residential use. This is defined as a single-family, residential dwelling in a non-commercial setting. Commercial settings include but are not limited to: schools, churches, hotels, restaurants, vacation rentals such as Airbnb, day care centers, private clubs, fire stations, common areas in multi-family dwellings, nursing homes, food service locations, and institutional food service locations such as hospitals or correction facilities. This warranty is non-transferable and will not be extended based on the date of installation. The warranty applies only to products installed in the contiguous United States and the District of Columbia.

Warranty shall not apply and ZLINE Kitchen and Bath is not responsible for damage resulting from negligence, improper maintenance, misuse, abuse, alteration of or tampering with the appliance, accident, natural disaster, improper installation, or installation not in accordance with the instructions contained in the manual, or the local codes.

## WHAT IS NOT COVERED

1. Installation or start-up damages or problems caused by improper installation or use.
2. Installation in any commercial or non-residential application.
3. Removal or re-installation cost.
4. Aesthetic damage, scratches, or natural wear caused by normal use.
5. Second-hand, open box products, or products purchased from an unauthorized retailer.

2.0.0

[www.zlinekitchen.com](http://www.zlinekitchen.com)

1-614-777-5004

[contact@zlinekitchen.com](mailto:contact@zlinekitchen.com)

**ZLINE**  
ATTAINABLE LUXURY®